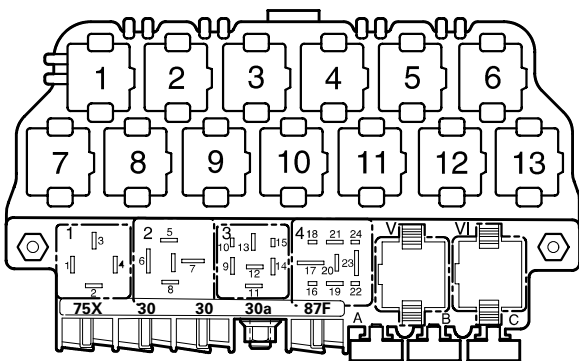


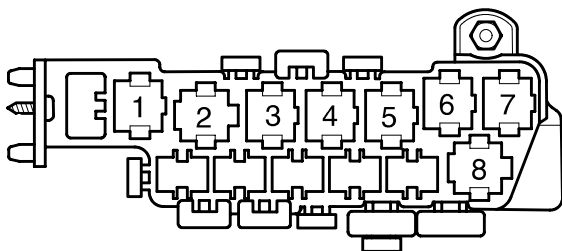
Passat - Standard Equipment,

from August 1999

Deviate relay location and fuseplacements as well as the locations of multiple connectors see section "component locations".



97-20676



97-20515

Fuse colors

- 30 A - green
- 25 A - white
- 20 A - yellow
- 15 A - blue
- 10 A - red
- 7,5 A - brown
- 5 A - beige

Relay location on the thirteenfold auxiliary relay panel, above relay panel:

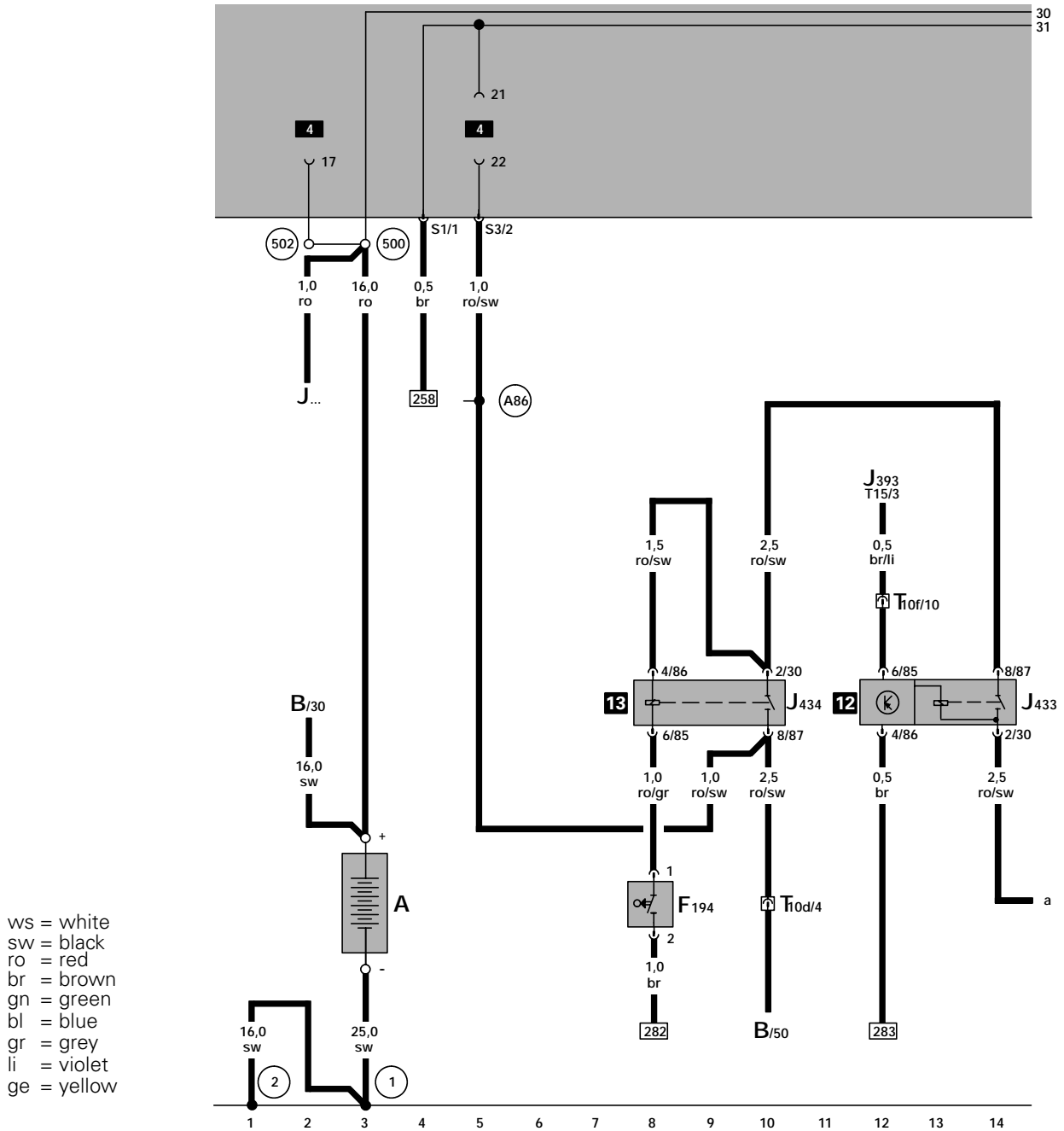
- 7** Fog Light Relay (381)
- 8** Daytime Running Lights Change-over Relay (173)
- 12** Starting Interlock Relay (alarm system) (186)
- 13** Starting Interlock Relay (clutch position) (204)

Relay panel:

- 1** Dual Horn Relay (204)
- 2** Load Reduction Relay (213)
- V** Wiper/Washer Intermittent Relay (377)
- VI** Wiper/Washer Intermittent Relay (377)

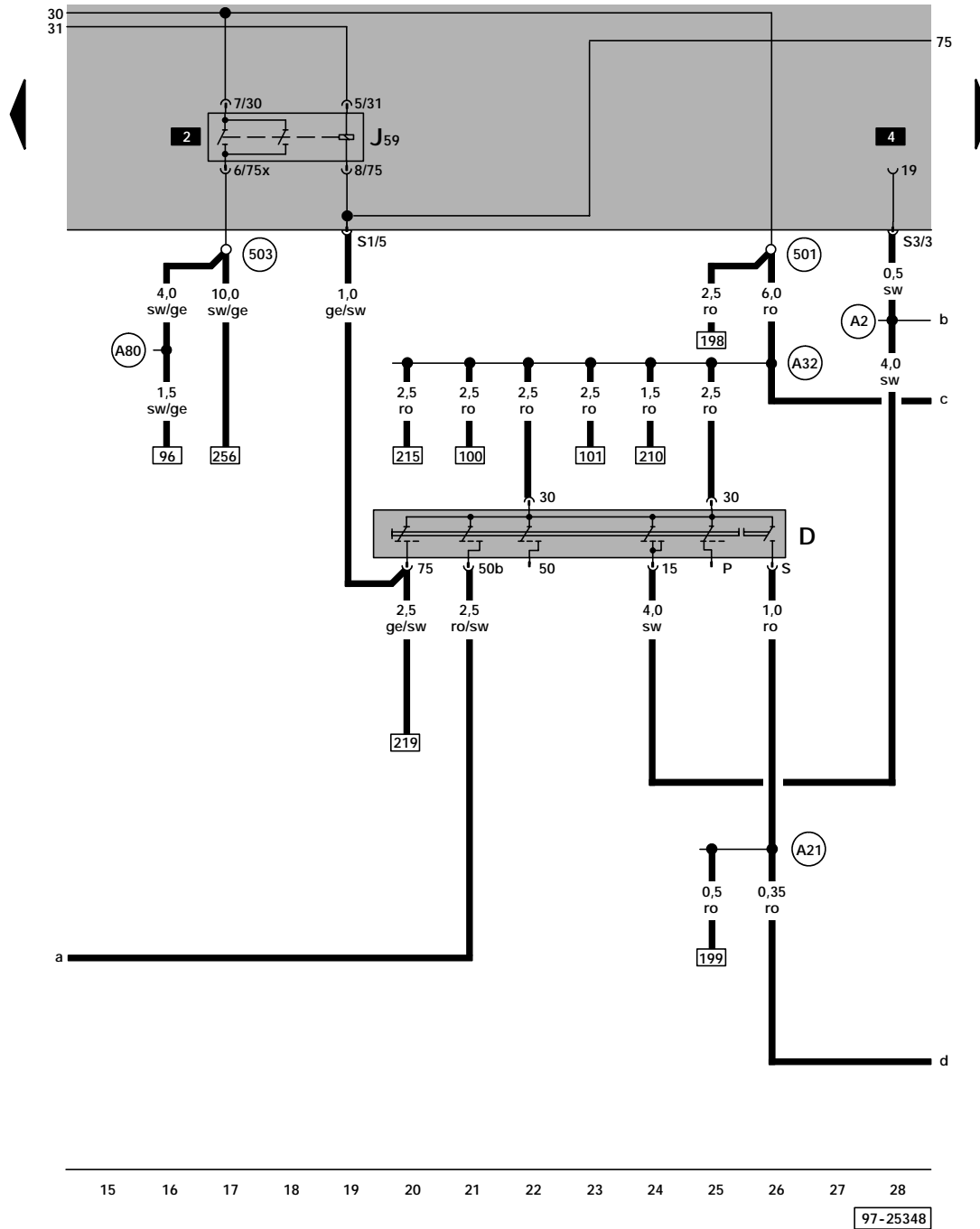
Relay location on the eightfold auxiliary relay panel, behind relay panel:

Note: Number in parentheses indicates production control number stamped on relay housing.



- A - Battery
- B - Starter
- F194 - Clutch Pedal Position (CPP) Switch
- J... - Engine control module (ECM)
- J393 - Central control module for comfort system
- J433 - Starting Interlock Relay (alarm system), on auxiliary relay panel, above relay panel, production control number (186)
- J434 - Starting Interlock Relay (clutch position), on auxiliary relay panel, above relay panel, production control number (204)
- T10d - 10-Pin Connector, brown, on protective housing for control module, in engine compartment, left
- T10f - 10-Pin Connector, blue, connector station A-pillar, left
- T15 - 15-Pin Connector, on central control module for comfort system

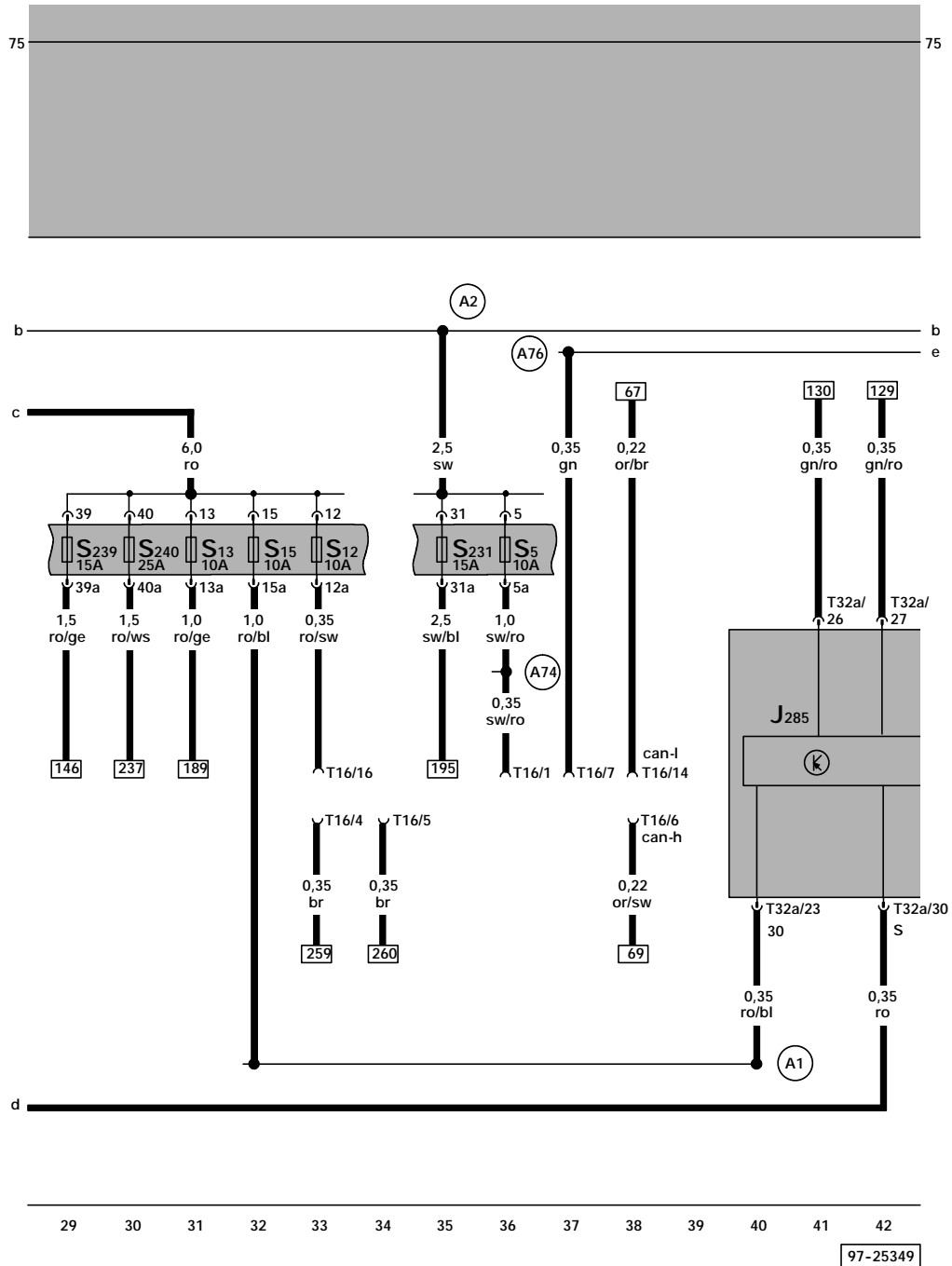
- ① - Ground strap, battery to body
- ② - Ground strap, transmission to body
- ⑤00 - Screw connection -1- (30), on relay panel
- ⑤02 - Screw connection (30a), on relay panel
- ⑤A86 - Connection (50a) in instrument panel wiring harness



ws = white
 sw = black
 ro = red
 br = brown
 gn = green
 bl = blue
 gr = grey
 li = violet
 ge = yellow

D - Ignition/Starter Switch
 J59 - Load Reduction Relay, production control number (213)

- (501) - Screw connection -2- (30), on relay panel
- (503) - Screw connection (75x), on relay panel
- (A2) - plus connection (15), in instrument panel wiring harness
- (A21) - wire connection (86s), in instrument panel wiring harness
- (A32) - plus connection (30), in instrument panel wiring harness
- (A80) - Connector -1- (X), in instrument panel wiring harness

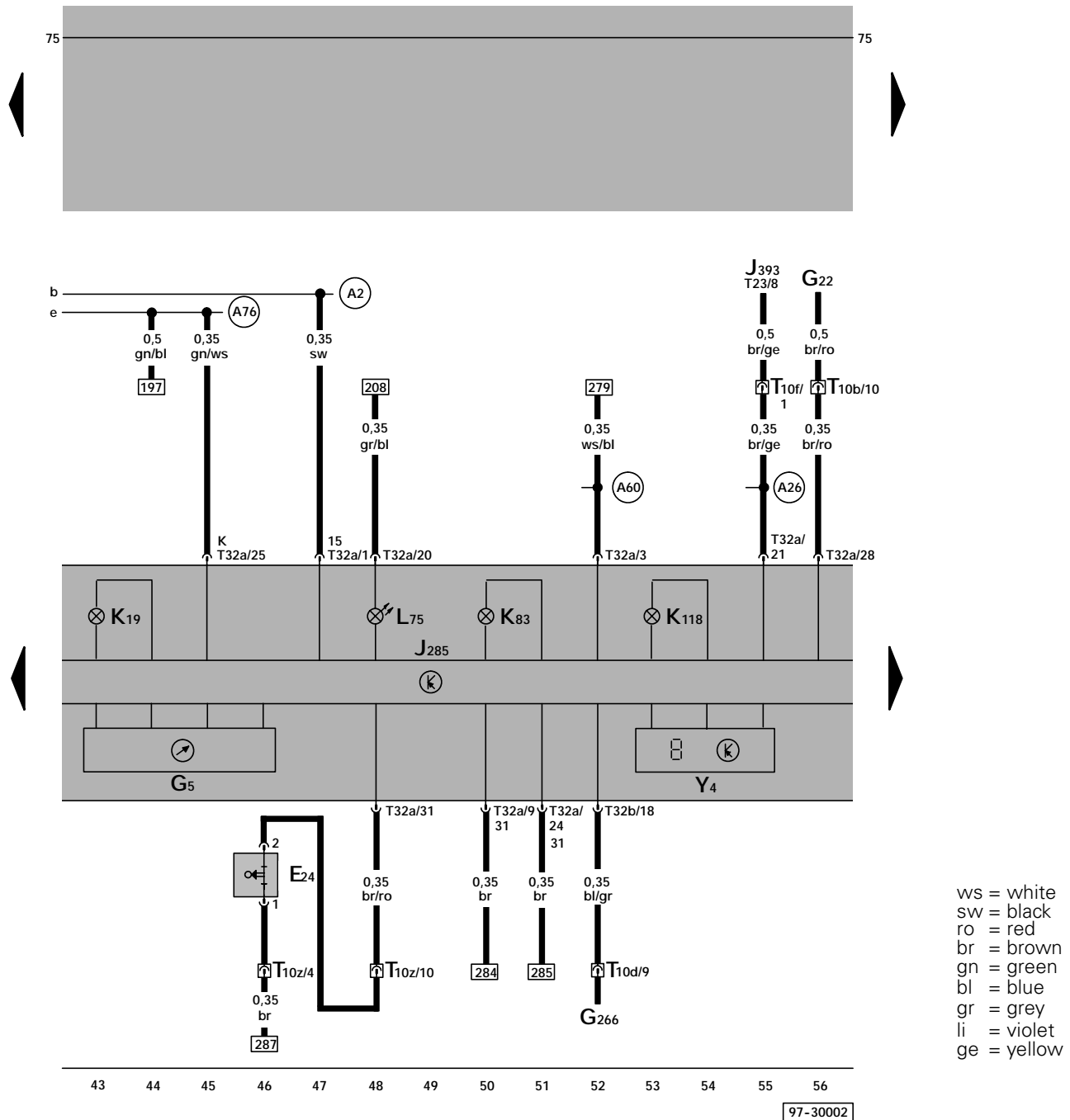


ws = white
 sw = black
 ro = red
 br = brown
 gn = green
 bl = blue
 gr = grey
 li = violet
 ge = yellow
 or = orange

- J285 - Control module with indicator unit in instrument panel insert
- S5 - Fuse 5 in fuse holder
- S12 - Fuse 12 in fuse holder
- S13 - Fuse 13 in fuse holder
- S15 - Fuse 15 in fuse holder
- S231 - Fuse 31 in fuse holder
- S239 - Fuse 39 in fuse holder
- S240 - Fuse 40 in fuse holder
- T16 - 16-Pin Connector, Data Link Connector (DLC), below instrument panel, left
- T32a - 32-Pin Connector, blue, on instrument cluster
- T32b - 32-Pin Connector, green, on instrument cluster

- (A2) - plus connection (15), in instrument panel wiring harness
- (A74) - Connector (15a - fuse 5), in instrument panel wiring harness
- (A76) - Connector (K-diagnosis wire), in instrument panel wiring harness

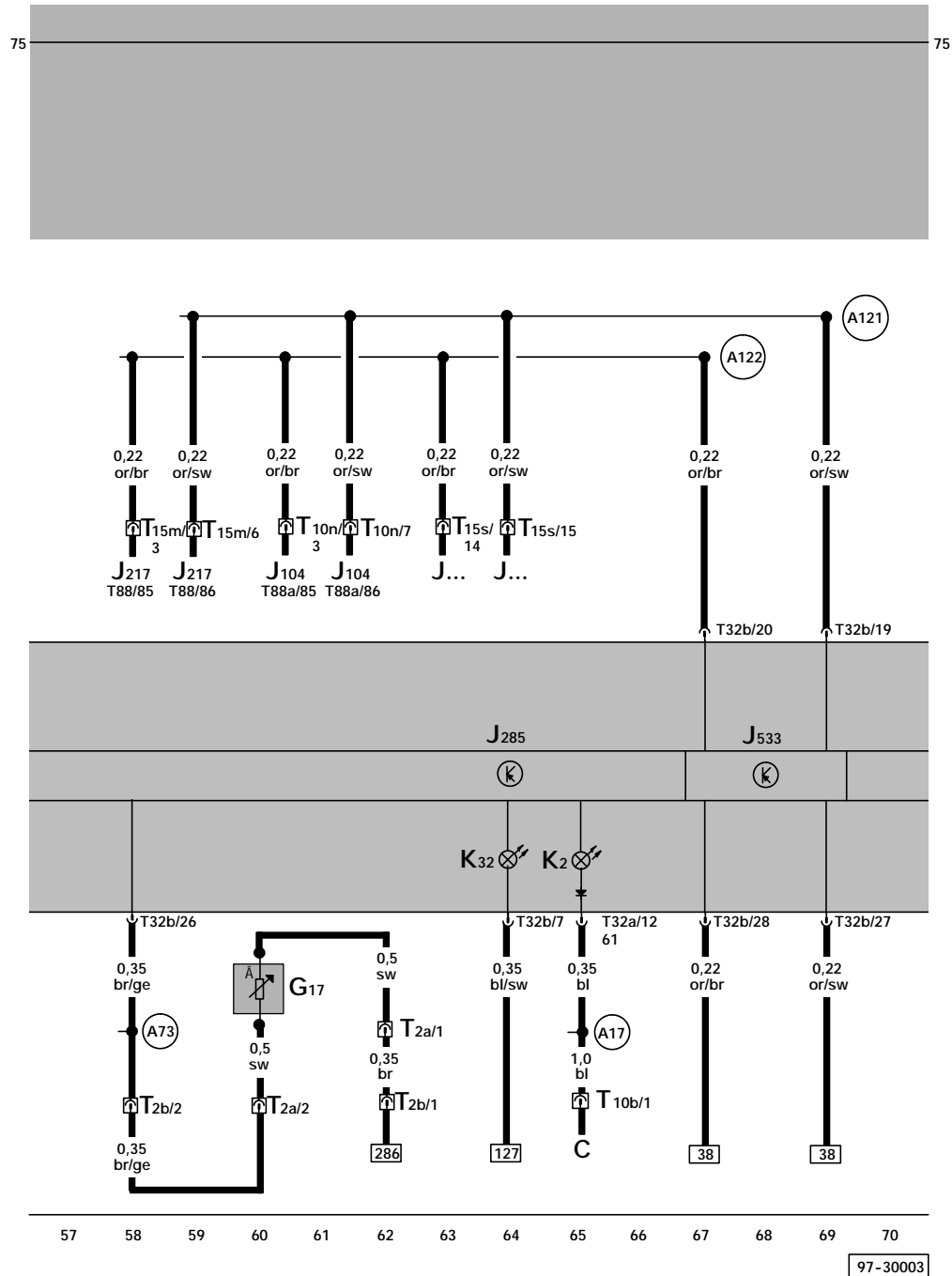
- (A1) - plus connection (30a), in instrument panel wiring harness



ws = white
 sw = black
 ro = red
 br = brown
 gn = green
 bl = blue
 gr = grey
 li = violet
 ge = yellow

- E24 - Left Seat Belt Switch
- G5 - Tachometer
- G22 - Speedometer Vehicle Speed Sensor (VSS)
- G266 - Oil Level Thermal Sensor (SRI)
- J285 - Control module with indicator unit in instrument panel insert
- J393 - Central control module for comfort system
- K19 - Seat Belt Warning Light
- K83 - Malfunction Indicator Lamp (MIL)
- K118 - Warning Light for brake system
- L75 - Digital Display Light
- T10b - 10-Pin Connector, black, on protective housing for control module, in engine compartment, left
- T10d - 10-Pin Connector, brown, on protective housing for control module, in engine compartment, left
- T10f - 10-Pin Connector, blue, connector station A-pillar, left

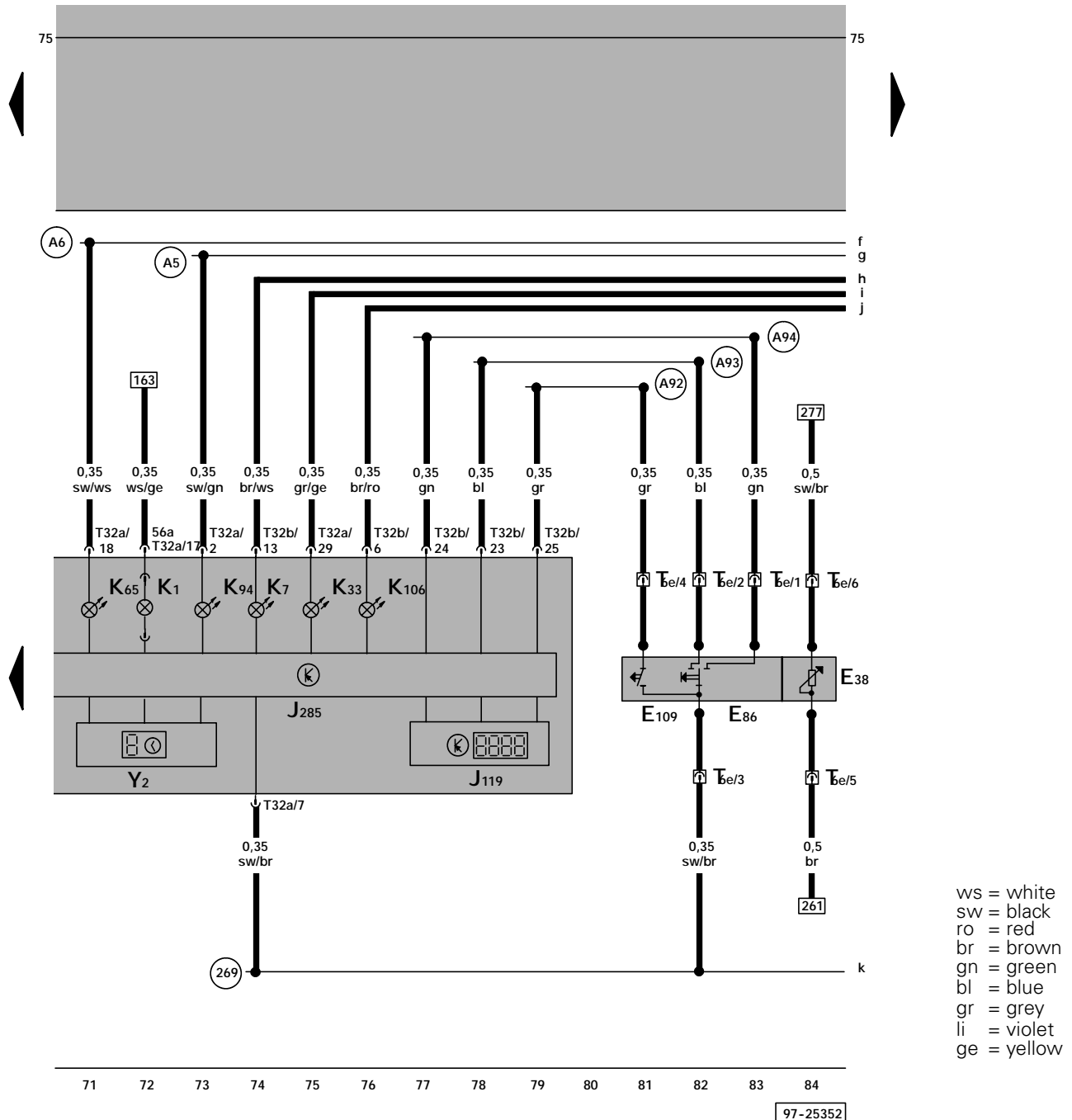
- T10z - 10-Pin Connector, brown
- T23 - 23-Pin Connector, on central control module for comfort system
- T32a - 32-Pin Connector, blue, on instrument cluster
- T32b - 32-Pin Connector, green, on instrument cluster
- Y4 - Odometer Display
- (A2) - plus connection (15), in instrument panel wiring harness
- (A26) - wire connection (driver's door contact switch), in instrument panel wiring harness
- (A60) - plus connection (Vehicle speed signal), in instrument cluster wiring harness
- (A76) - Connector (K-diagnosis wire), in instrument panel wiring harness



ws = white
 sw = black
 ro = red
 br = brown
 gn = green
 bl = blue
 gr = grey
 li = violet
 ge = yellow
 or = orange

- C - Generator (GEN)
- G17 - Outside Air Temperature Sensor
- J... - Engine Control Module (ECM)
- J104 - ABS Control Module (w/EDL)
- J217 - Transmission Control Module (TCM)
- J285 - Control module with indicator unit in instrument panel insert
- J533 - Interface for Can Bus (Diagnosis)
- K2 - Generator (GEN) Warning Light
- K32 - Brake Pad Wear Indicator Light
- T2a - 2-Pin Connector,
- T2b - 2-Pin Connector,
- T10b - 10-Pin Connector, black, on protective housing for control module, in engine compartment, left
- T10n - 10-Pin Connector,
- T15m- 15-Pin Connector,

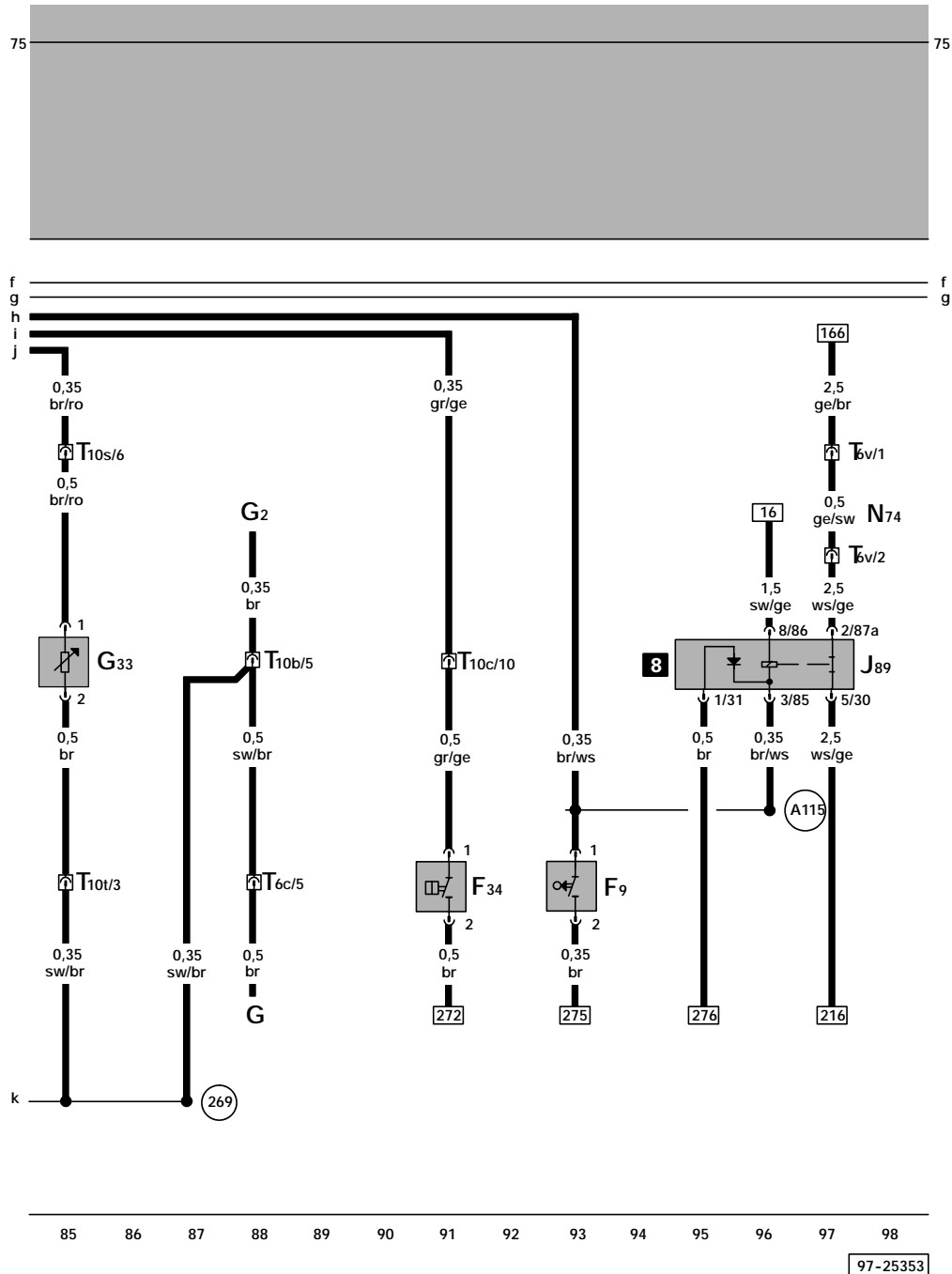
- T15s - 15-Pin Connector, red, on protective housing for control module, in engine compartment, left
- T32a - 32-Pin Connector, blue, on instrument cluster
- T32b - 32-Pin Connector, green, on instrument cluster
- T88 - Connector, 88 point, on Transmission Control Module (TCM)
- T88a - Connector, (outside temperature indicator) , in instrument panel wiring harness
- A17 - wire connection (61), in instrument panel wiring harness
- A73 - Connector (outside temperature indicator), in instrument panel wiring harness
- A121 - Connector (High-Bus), in instrument panel wiring harness
- A122 - Connector (Low-Bus), in instrument panel wiring harness



ws = white
 sw = black
 ro = red
 br = brown
 gn = green
 bl = blue
 gr = grey
 li = violet
 ge = yellow

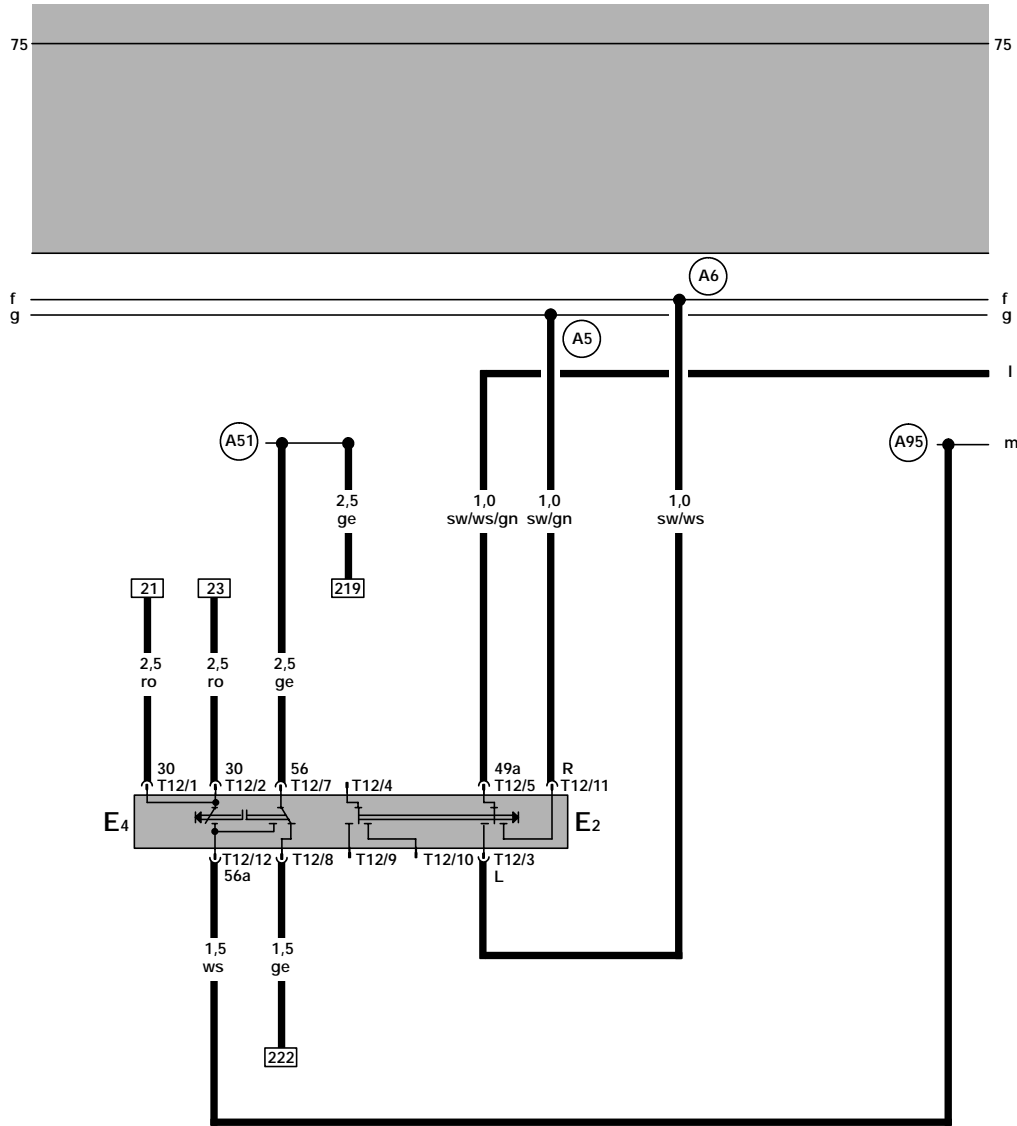
- E38 - Windshield Wiper Intermittent Regulator
- E86 - Multi-Function Indicator Mode Select Switch
- E109 - Multi-Function Indicator Memory Switch
- J119 - Multi-Function Indicator (MFA)
- J285 - Control module with indicator unit in instrument panel insert
- K1 - Headlight High Beam Indicator Light
- K7 - Brake and Parking Brake Warning Light
- K33 - Brake Fluid Level Warning Light
- K65 - Left Turn Signal Indicator Light
- K94 - Right Turn Signal Indicator Light
- K106 - Low Windshield Washer Fluid Level Indicator Light
- T6e - 6-Pin Connector, black, near steering column, right
- T32a - 32-Pin Connector, blue, on instrument cluster

- T32b - 32-Pin Connector, green, on instrument cluster
- Y2 - Digital Clock
- (A5) - plus connection (right turn signal), in instrument panel wiring harness
- (A6) - plus connection (left turn signal), in instrument panel wiring harness
- (A92) - Connector (MFI-Reset), in instrument panel wiring harness
- (A93) - Connector -1- (MFI), in instrument panel wiring harness
- (A94) - Connector -1- (MFI), in instrument panel wiring harness
- (269) - Ground connector (sensor ground) -1-, in instrument panel wiring harness



- F9 - Parking Brake Warning Light Switch
- F34 - Brake Fluid Level Warning Switch
- G - Sender for fuel gauge
- G2 - Engine Coolant Temperature (ECT) Sensor
- G33 - Windshield Washer Fluid Level Sensor
- J89 - Daytime Running Lights Change-over Relay on the thirteenfold relay panel, above relay panel, production control number (173)
- N74 - Series Resistance Wiring
- T6c - 6-Pin Connector, blue, connector station A-pillar, left
- T6v - 6-Pin Connector, violet, connector station A-pillar, right
- T10b - 10-Pin Connector, black, on protective housing for control module, in engine compartment, left
- T10c - 10-Pin Connector, violet, connector station A-pillar, left

- T10s - 10-Pin Connector,
- T10t - 10-Pin Connector, red, connector station A-pillar, left
- (269) - Ground connector (sensor ground) -1-, in instrument panel wiring harness
- (A115) - Connection (parking brake warning light), in instrument panel wiring harness

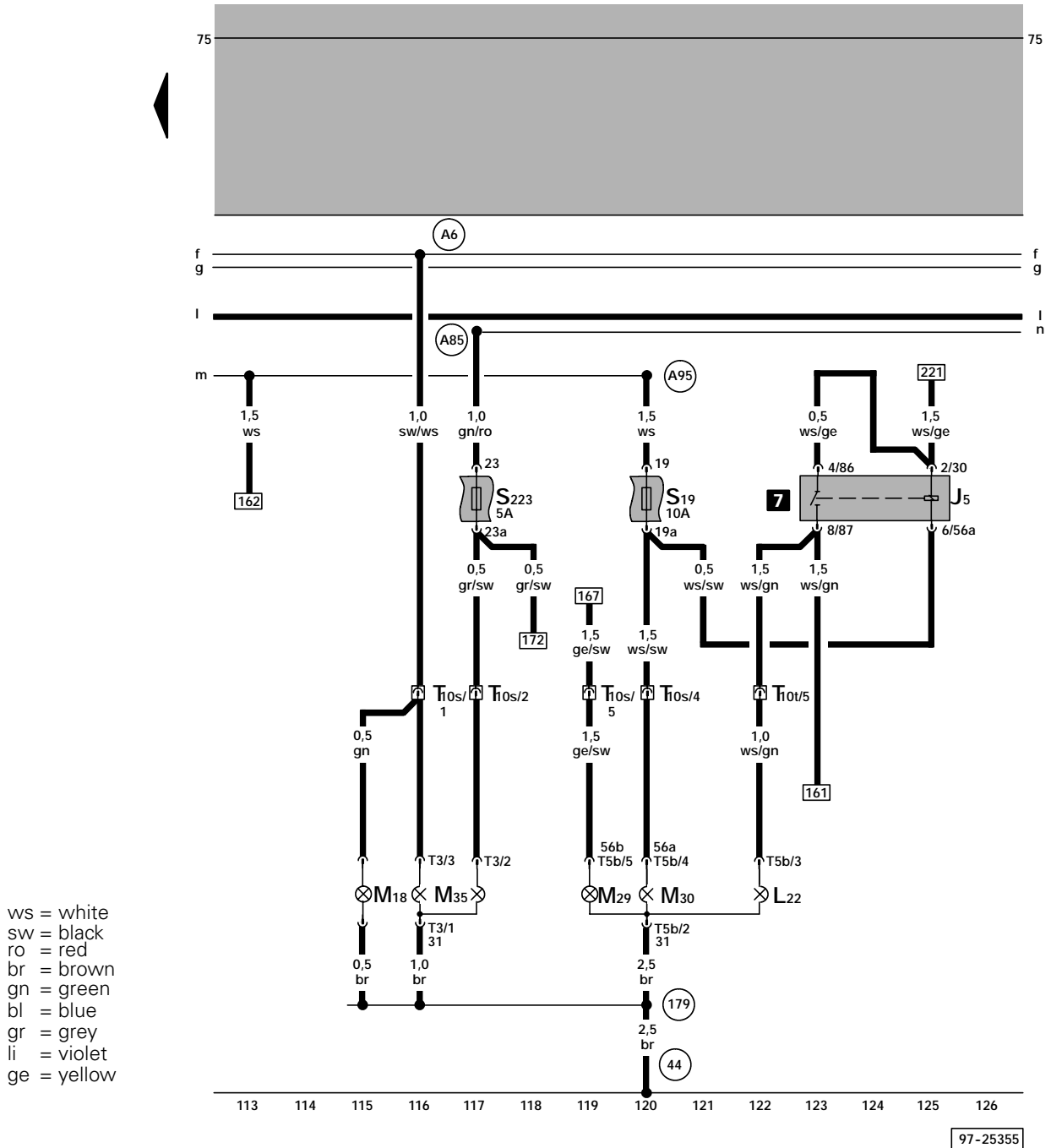


ws = white
 sw = black
 ro = red
 br = brown
 gn = green
 bl = blue
 gr = grey
 li = violet
 ge = yellow

99 100 101 102 103 104 105 106 107 108 109 110 111 112

97-25354

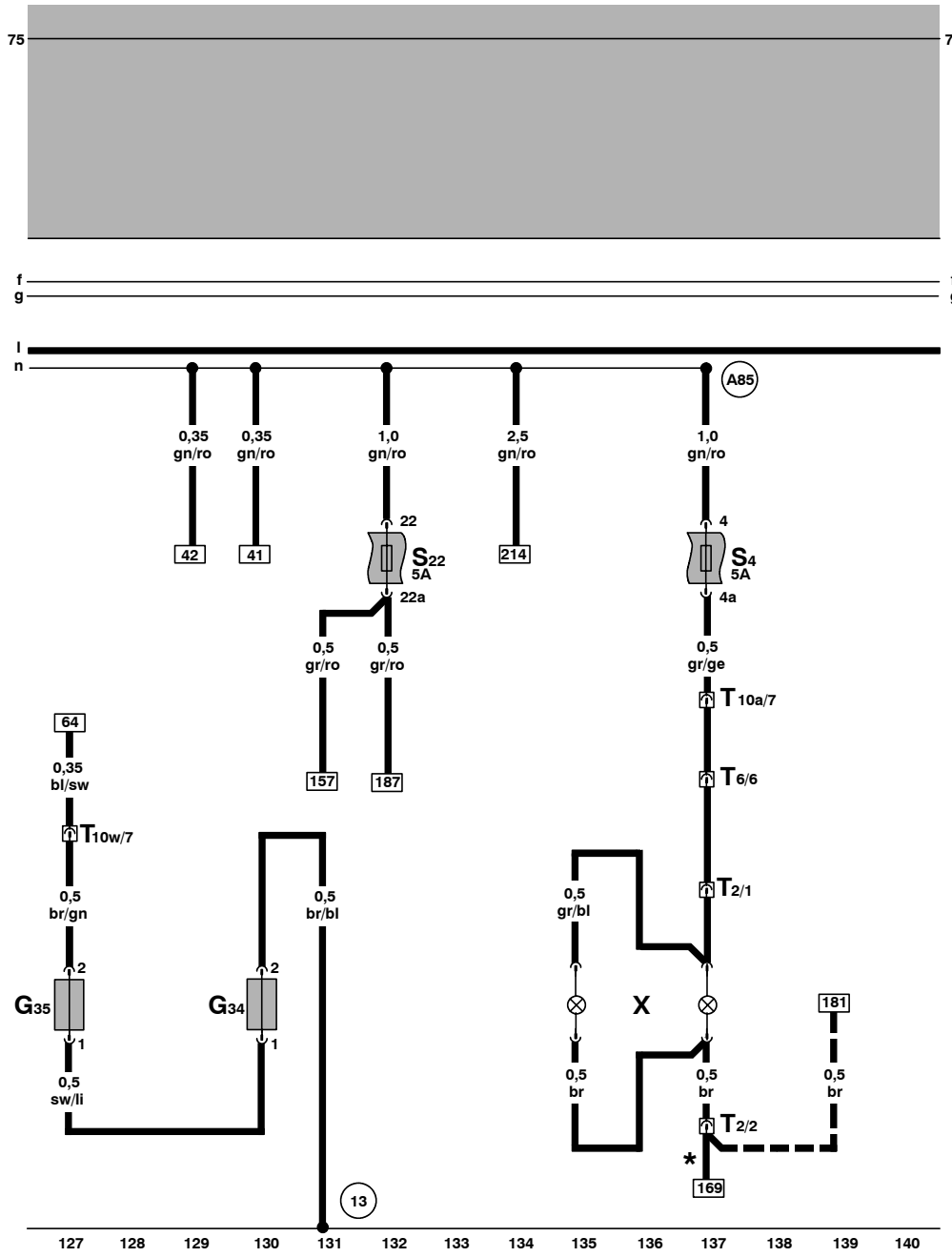
- E2 - Turn Signal Switch
- E4 - Headlight Dimmer/Flasher Switch
- T12 - 12-Pin Connector, near steering column
- (A5) - plus connection (right turn signal), in instrument panel wiring harness
- (A6) - plus connection (left turn signal), in instrument panel wiring harness
- (A51) - wire connection (56), in instrument panel wiring harness
- (A95) - wire connection -1- (56a), in instrument panel wiring harness



ws = white
 sw = black
 ro = red
 br = brown
 gn = green
 bl = blue
 gr = grey
 li = violet
 ge = yellow

- J5 - Fog Light Relay, on auxiliary relay panel, production control number (381)
- L22 - Left Front Fog Light
- M18 - Left, Side Turn Signal Light
- M29 - Left Low Beam Headlight
- M30 - Left High Beam Headlight
- M35 - Light for turn signal and side marker, front, left
- S19 - Fuse 19 in fuse holder
- S223 - Fuse 23 in fuse holder
- T3 - 3-Pin Connector
- T5b - 5-Pin Connector, on headlight left
- T10s - 10-Pin Connector, pink, connector station A-pillar, left
- T10t - 10-Pin Connector, red, connector station A-pillar, left

- (44) - Ground connection, on left A-pillar, lower part
- (179) - Ground connection, in left headlight wiring harness
- (A6) - plus connection (left turn signal), in instrument panel wiring harness
- (A85) - wire connection (58r), in instrument panel wiring harness
- (A95) - Connection 1 (56a), in instrument panel wiring harness

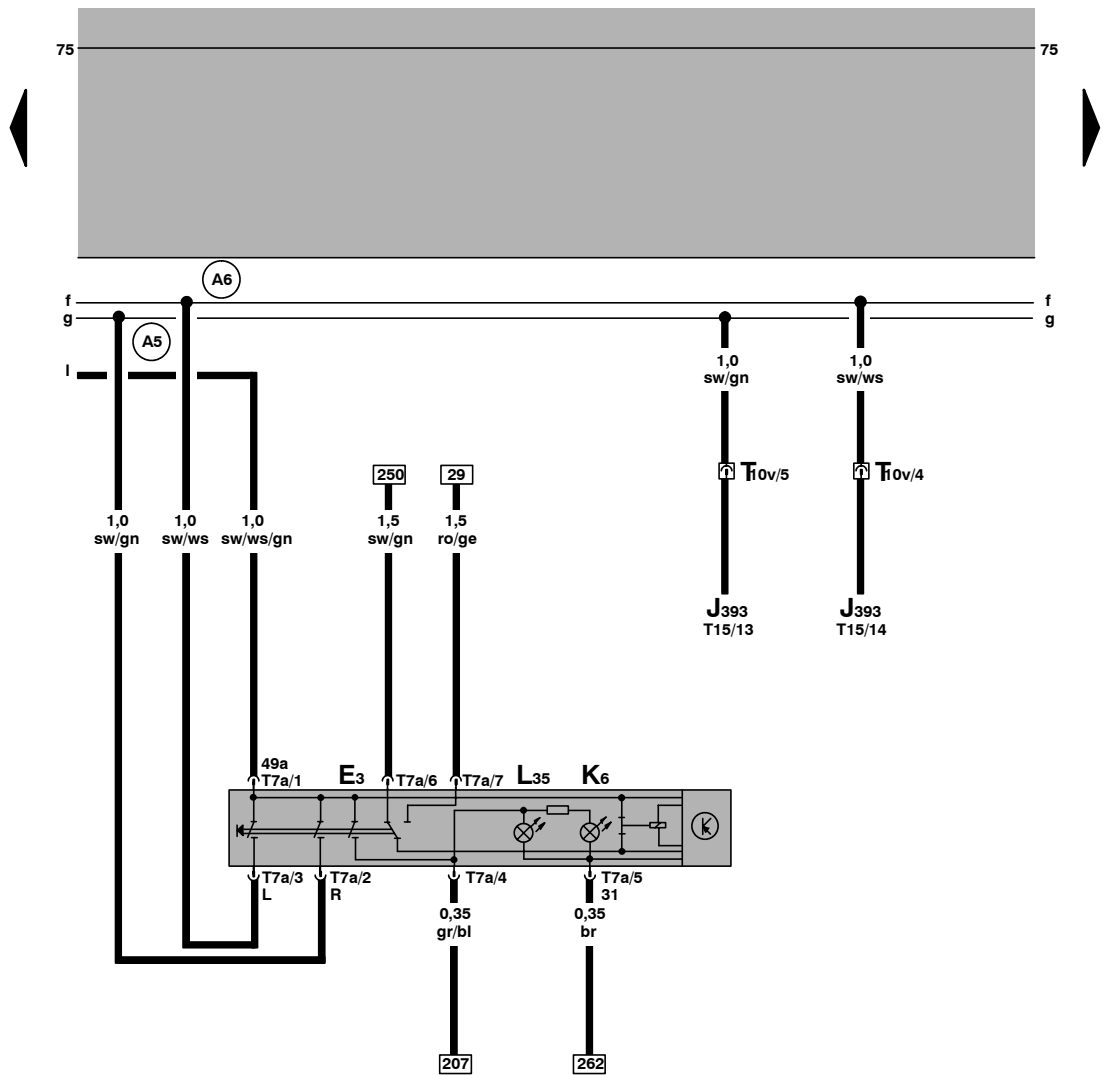


ws = white
 sw = black
 ro = red
 br = brown
 gn = green
 bl = blue
 gr = grey
 li = violet
 ge = yellow

97-29134

- G34 - Left Front Brake Pad Wear Sensor
- G35 - Right Front Brake Pad Wear Sensor
- S4 - Fuse 4 in fuse holder
- S22 - Fuse 22 in fuse holder
- T2 - Double Connector, in rear lid
- T6 - 6-Pin Connector, black, in luggage compartment, left (wagon only)
- T10a - 10-Pin Connector, brown, connector station A-pillar, left
- T10w- 10-Pin Connector, grey, connector station A-pillar, right
- X - License Plate Light
- 13 - Ground connection, in engine compartment, right
- A85 - wire connection (58r), in instrument panel wiring harness

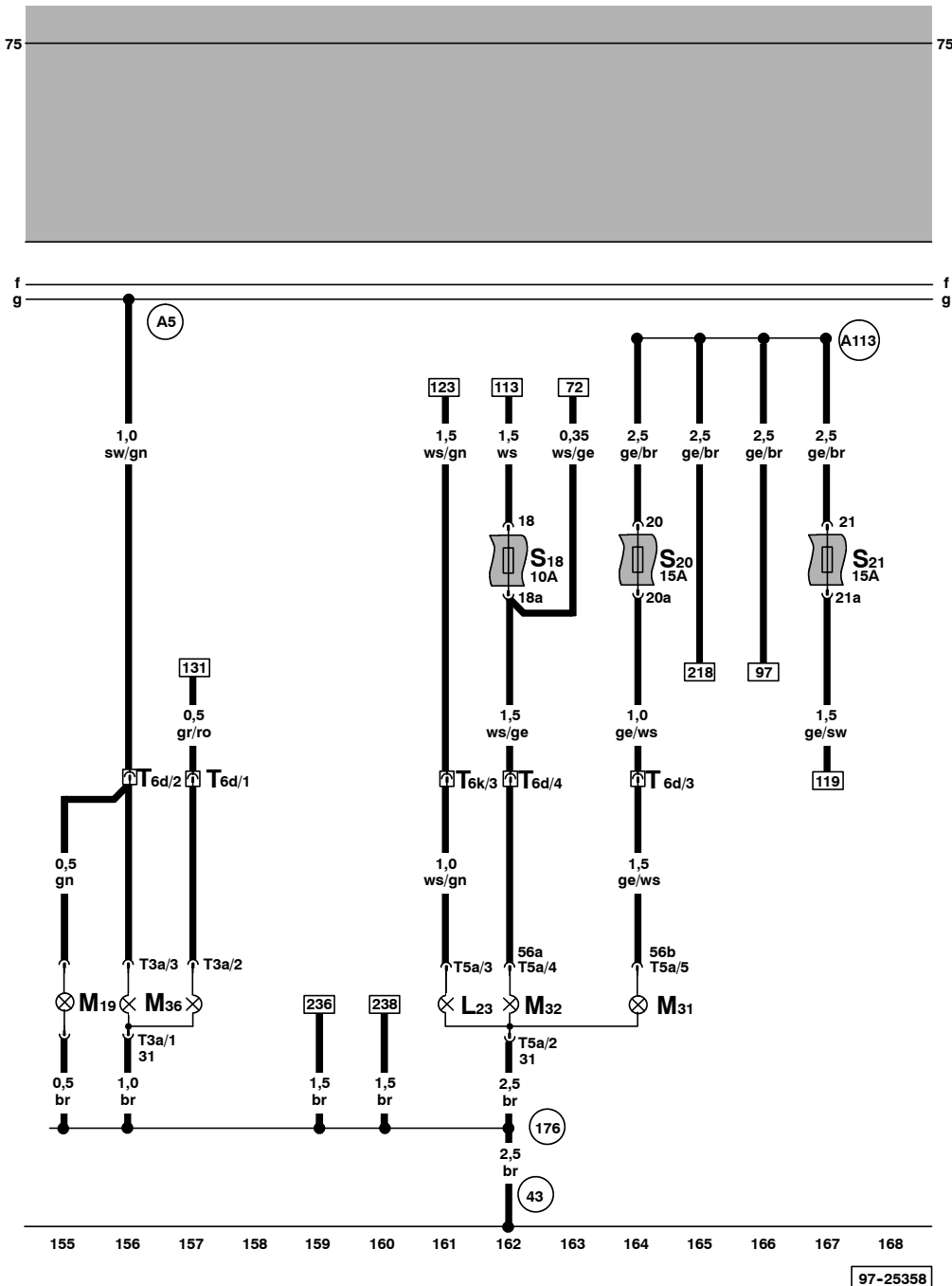
--- wagon only
 * - sedan only



141 142 143 144 145 146 147 148 149 150 151 152 153 154

97-25357

- E3 - Emergency Flasher Switch
 - J393 - Central control module for comfort system
 - K6 - Emergency Flasher Warning Light
 - L35 - Emergency Flasher Switch Light
 - T7a - 7-Pin Connector, on emergency flasher switch
 - T10v - 10-Pin Connector, violet, connector station A-pillar, right
 - T15 - 15-Pin Connector, on central control module for comfort system
- (A5) - plus connection (right turn signal), in instrument panel wiring harness
 - (A6) - plus connection (left turn signal), in instrument panel wiring harness

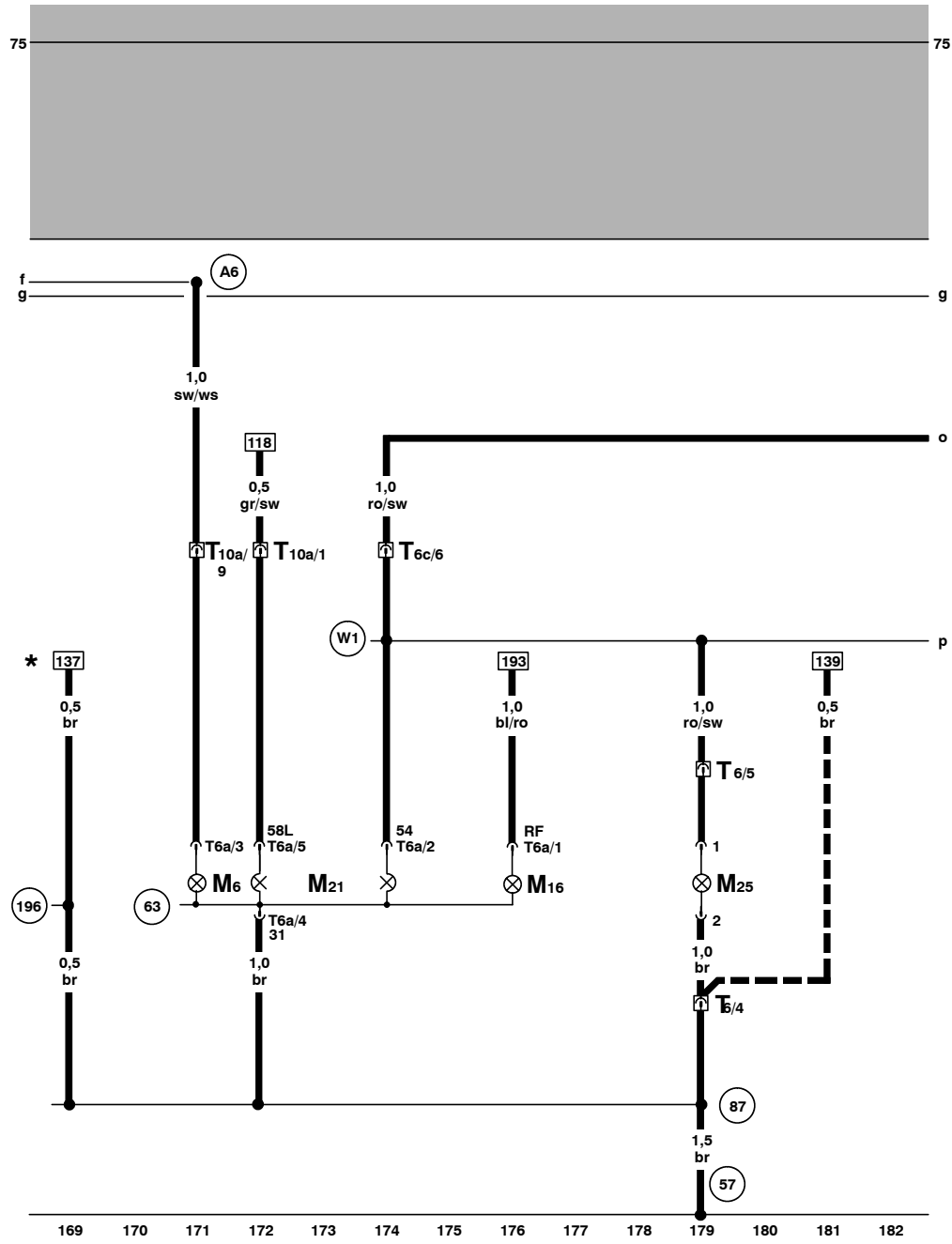


ws = white
 sw = black
 ro = red
 br = brown
 gn = green
 bl = blue
 gr = grey
 li = violet
 ge = yellow

97-25358

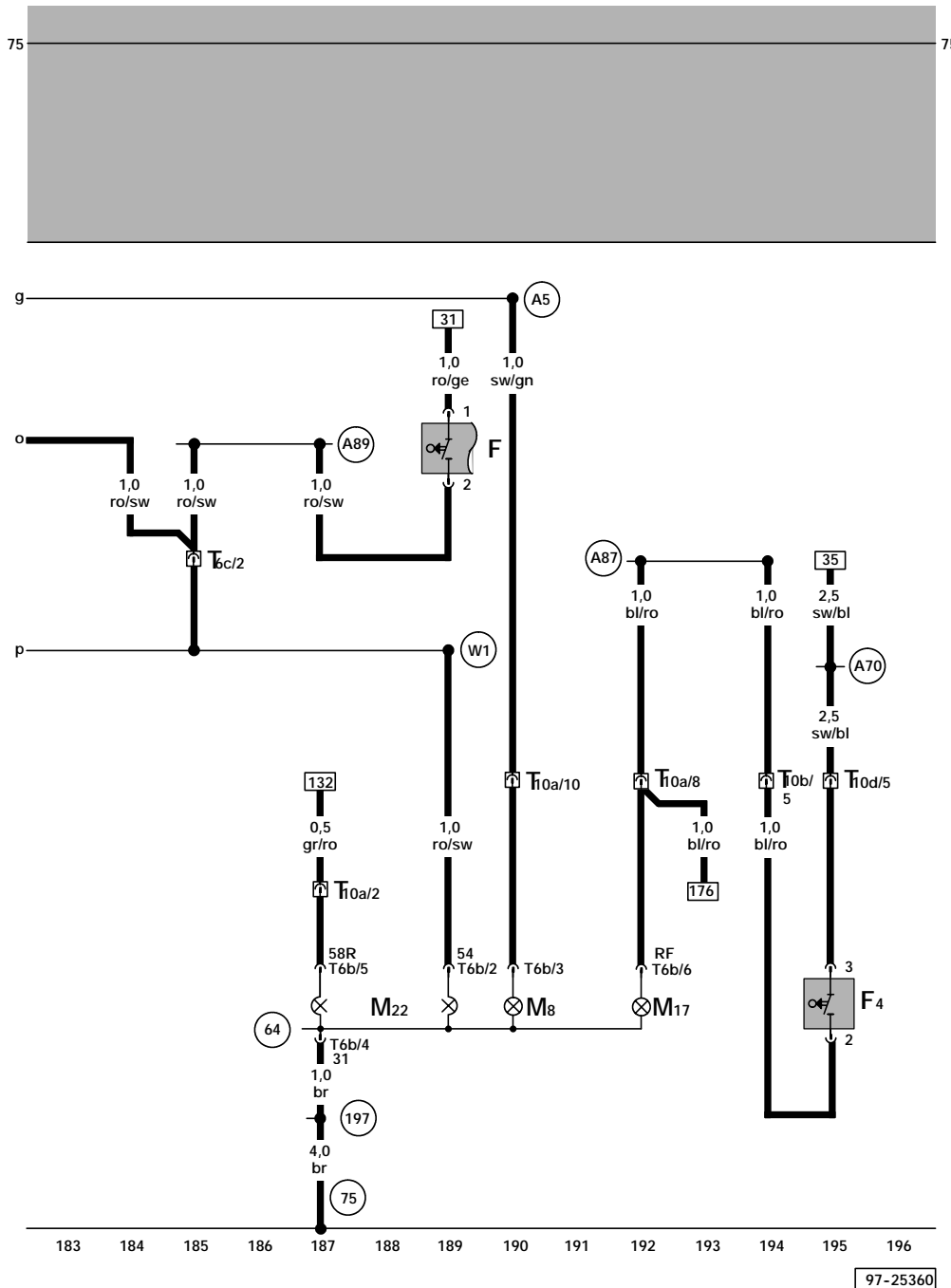
- L23 - Right Front Fog Light
- M19 - Right, Side Turn Signal Light
- M31 - Right Low Beam Headlight
- M32 - Right High Beam Headlight
- M36 - Light for turn signal and side marker, front, right
- S18 - Fuse 18 in fuse holder
- S20 - Fuse 20 in fuse holder
- S21 - Fuse 21 in fuse holder
- T3a - 3-Pin Connector
- T5a - 5-Pin Connector, on headlight right
- T6d - 6-Pin Connector, pink, connector station A-pillar, right
- T6k - 6-Pin Connector, red, connector station A-pillar, right

- (43) - Ground connection, on right A-pillar, lower part
- (176) - Ground connection, in right headlight wiring harness
- (A5) - plus connection (right turn signal), in instrument panel wiring harness
- (A113) - Connection -2- (daytime running lights), in instrument panel wiring harness



ws = white
 sw = black
 ro = red
 br = brown
 gn = green
 bl = blue
 gr = grey
 li = violet
 ge = yellow

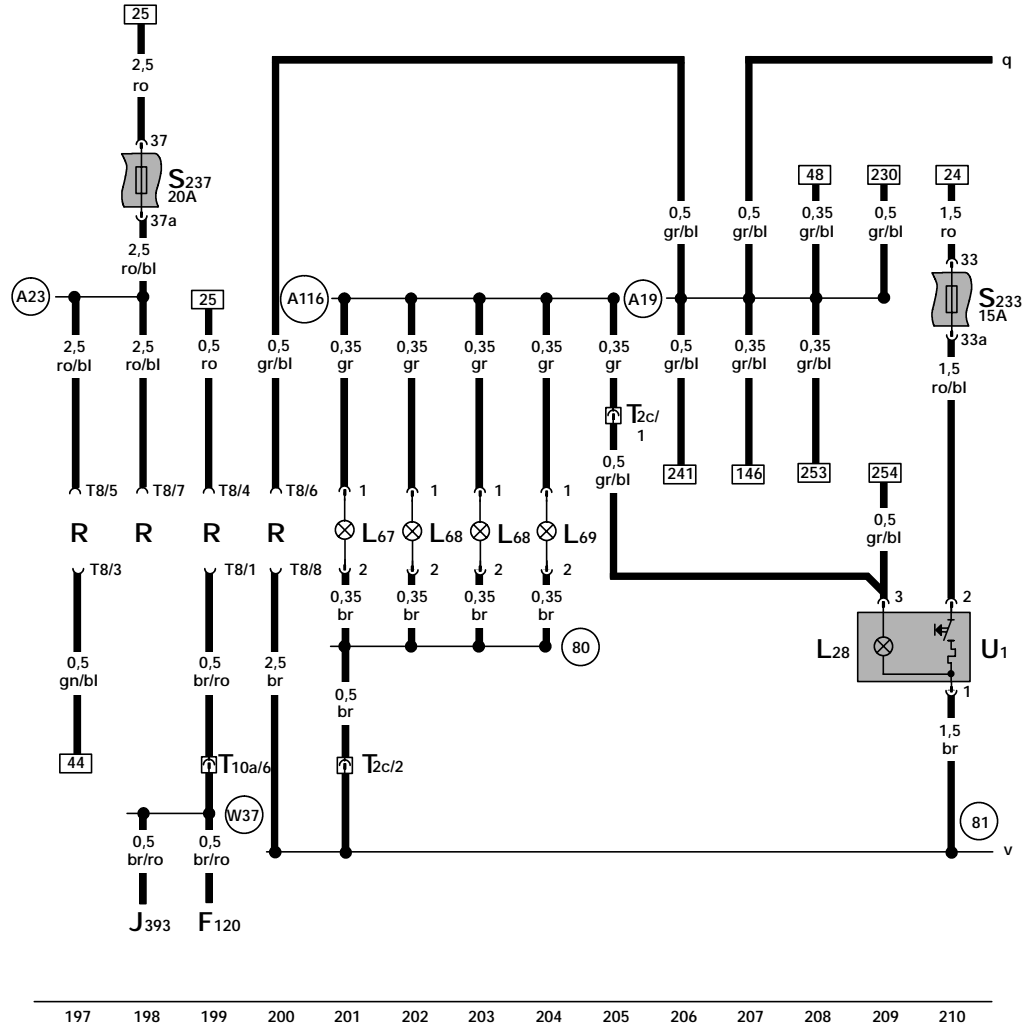
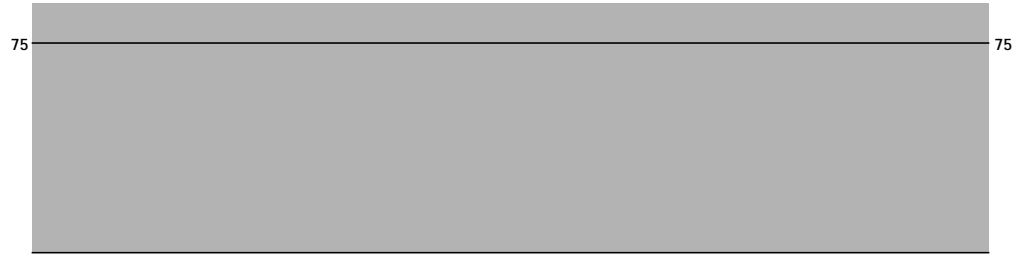
- M6 - Left Rear Turn Signal Light
- M16 - Left Back-Up Light
- M21 - Left Brake/Tail Light
- M25 - High-mount Brake Light
- T6 - 6-Pin Connector, black, in luggage compartment, left (wagon only)
- T6a - 6-Pin Connector, on tail light, left
- T6c - 6-Pin Connector, blue, connector station A-pillar, left
- T10a - 10-Pin Connector, brown, connector station A-pillar, left
- (87) - Ground connection -2-, in rear wiring harness
- (196) - Ground connection -3-, in wiring harness, rear
- (A6) - plus connection (left turn signal), in instrument panel wiring harness
- (W1) - plus connection (54), in rear wiring harness
- - - wagon only
- * - sedan only
- (63) - Ground connection, on left taillight bulb holder
- (57) - Ground connection, on left rear window wiper



ws = white
 sw = black
 ro = red
 br = brown
 gn = green
 bl = blue
 gr = grey
 li = violet
 ge = yellow

- F - Brake Light Switch
- F4 - Back-Up Light Switch
- M8 - Right Rear Turn Signal Light
- M17 - Right Back-Up Light
- M22 - Right Brake/Tail Light
- T6b - 6-Pin Connector, on tail light, right
- T6c - 6-Pin Connector, blue, connector station A-pillar, left
- T10a - 10-Pin Connector, brown, connector station A-pillar, left
- T10b - 10-Pin Connector, black, on protective housing for control module, in engine compartment, left
- T10d - 10-Pin Connector, brown, on protective housing for control module, in engine compartment, left
- (64) - Ground connection, on right taillight bulb holder

- (75) - Ground connection, on right rear pillar
- (197) - Ground connection -4-, in wiring harness rear
- (A5) - plus connection (right turn signal), in instrument panel wiring harness
- (A70) - Connector (15a, fuse 231), in instrument panel wiring harness
- (A87) - Connector (reverse lamp), in instrument panel wiring harness
- (A89) - Connector (54), in instrument panel wiring harness
- (W1) - plus connection (54), in rear wiring harness



ws = white
 sw = black
 ro = red
 br = brown
 gn = green
 bl = blue
 gr = grey
 li = violet
 ge = yellow

197 198 199 200 201 202 203 204 205 206 207 208 209 210

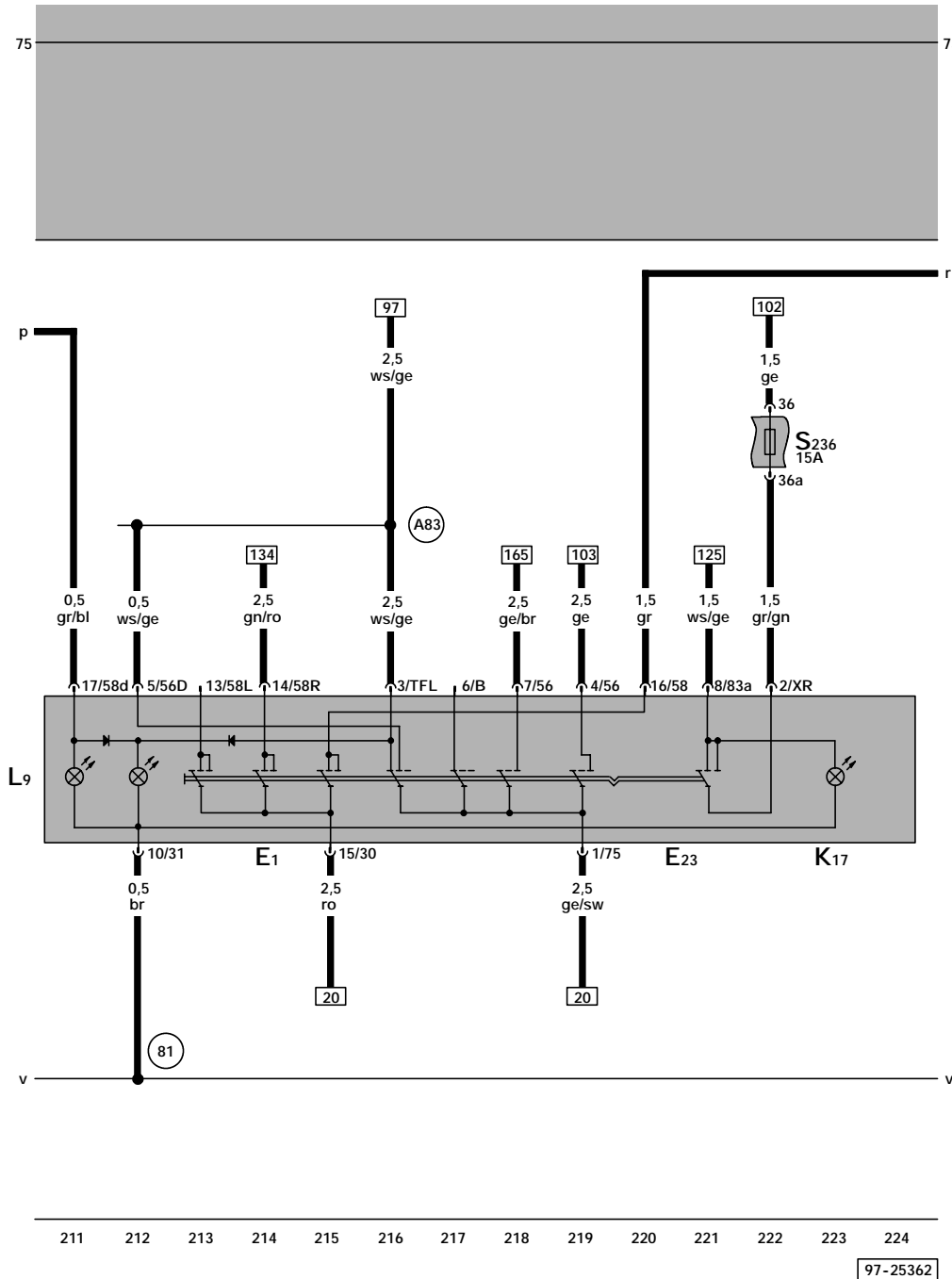
97-25361

- F120 - Hood Alarm Switch
- J393 - Central control module for comfort system
- L28 - Cigarette Lighter Light
- L67 - Left Instrument Panel Vent Illumination
- L68 - Center Instrument Panel Vent Illumination
- L69 - Right Instrument Panel Vent Illumination
- R - Radio
- S233 - Fuse 33 in fuse holder
- S237 - Fuse 37 in fuse holder
- T2c - Double Connector
- T8 - 8-Pin Connector, on radio
- T10a - 10-Pin Connector, brown, connector station A-pillar, left
- U1 - Cigarette Lighter

- (81) - Ground connection -1-, in instrument panel wiring harness
- (A19) - wire connection (58d), in instrument panel wiring harness
- (A23) - wire connection (30al), in instrument panel wiring harness
- (A116) - wire connection -2- (58d), in instrument panel wiring harness
- (W37) - Connector (alarm system), in wiring harness floor

- (80) - Ground connection -1-, in instrument panel wiring harness

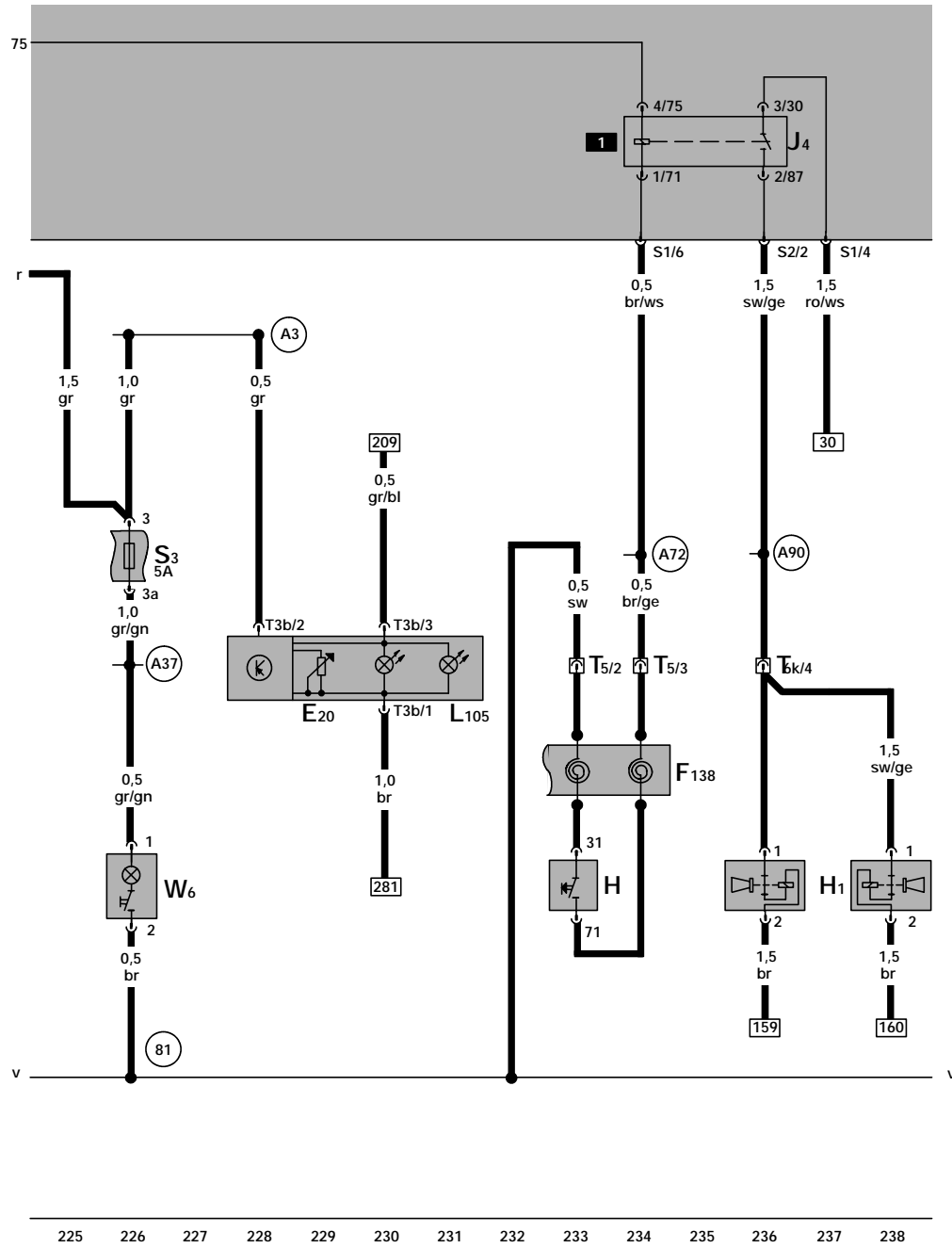
Radio connection, cigarette lighter, panel vent illumination



ws = white
 sw = black
 ro = red
 br = brown
 gn = green
 bl = blue
 gr = grey
 li = violet
 ge = yellow

- E1 - Light switch
- E23 - Fog Light Switch
- K17 - Fog Light Indicator Light
- L9 - Headlight Switch Licht
- S236 - Fuse 36 in fuse holder

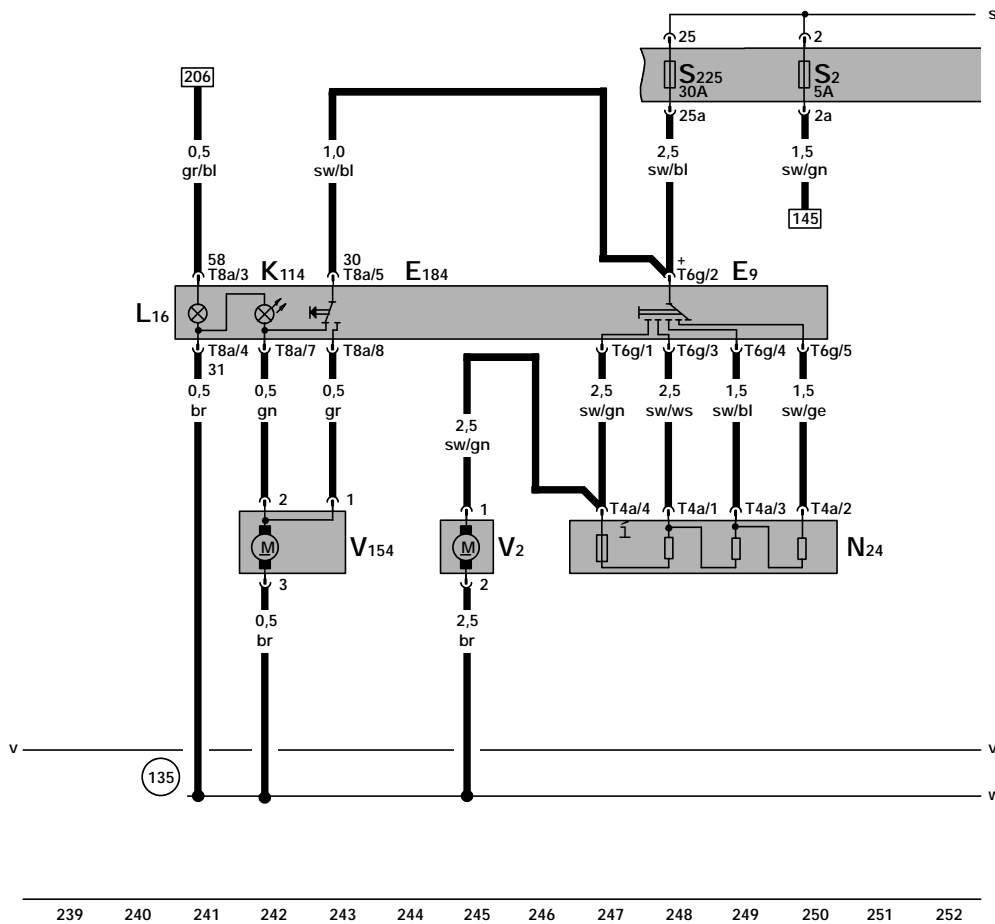
- (81) - Ground connection -1-, in instrument panel wiring harness
- (A83) - Connector (daytime running lights), in instrument panel wiring harness



ws = white
sw = black
ro = red
br = brown
gn = green
bl = blue
gr = grey
li = violet
ge = yellow

- E20 - Instrument Panel Light Dimmer Switch
- F138 - Airbag Spiral Spring/Return Spring With Slip Ring
- H - Horn Button
- H1 - Dual Horns
- J4 - Dual Horn Relay, production control number (204)
- L105 - Illumination for Instrument Panel Light Dimmer Switch
- S3 - Fuse 3 in fuse holder
- T3b - 3-Pin Connector
- T5 - 5-Pin Connector, yellow, near steering column
- T6k - 6-Pin Connector, red, connector station A-pillar, right
- W6 - Glove Compartment Light

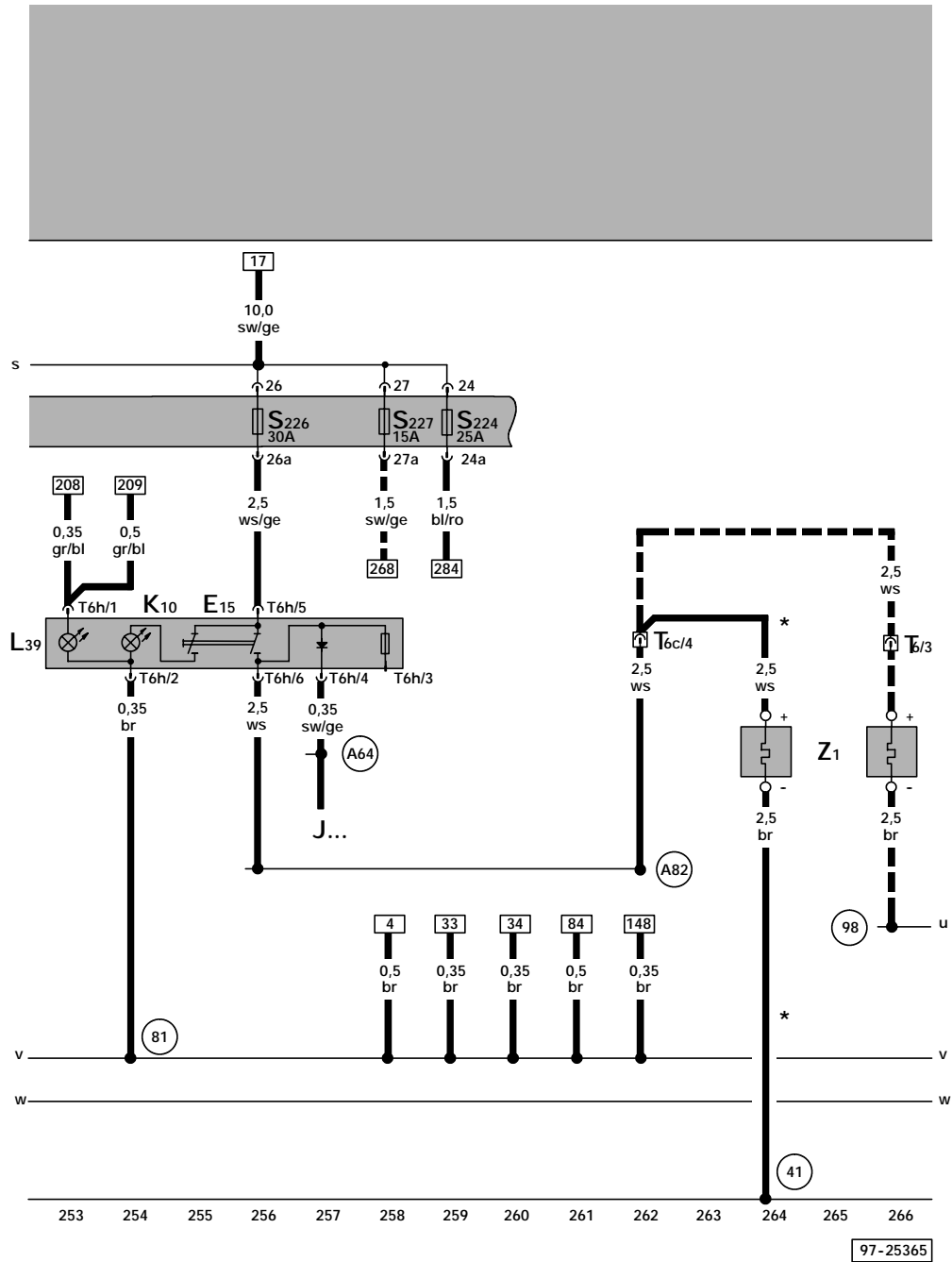
- (81) - Ground connection -1-, in instrument panel wiring harness
- (A3) - plusconnection (58), in instrument panel wiring harness
- (A37) - wire connection (58a), in instrument panel wiring harness
- (A72) - Connector (71), in instrument panel wiring harness
- (A90) - Connector (two-tone horn), in instrument panel wiring harness



ws = white
 sw = black
 ro = red
 br = brown
 gn = green
 bl = blue
 gr = grey
 li = violet
 ge = yellow

97-25364

- E9 - Fresh Air Blower Switch
 - E184 - Switch for fresh air blower and recirculated air
 - K114 - Fresh Air and Recirculating Air Mode Indicator Light
 - L16 - Fresh Air Control Lever Light
 - N24 - Fresh Air Blower Series Resistance With Fuse
 - S2 - Fuse 2 in fuse holder
 - S225 - Fuse 25 in fuse holder
 - T4a - 4-Pin Connector
 - T6g - 6-Pin Connector, on fresh air blower switch
 - T8a - 8-Pin Connector, on switch for fresh air blower and recirculated air
 - V2 - Fresh Air Blower
 - V154 - Servo motor for fresh-/recirculating air door
- 135 - Ground connection -2-, in instrument panel wiring harness



ws = white
 sw = black
 ro = red
 br = brown
 gn = green
 bl = blue
 gr = grey
 li = violet
 ge = yellow

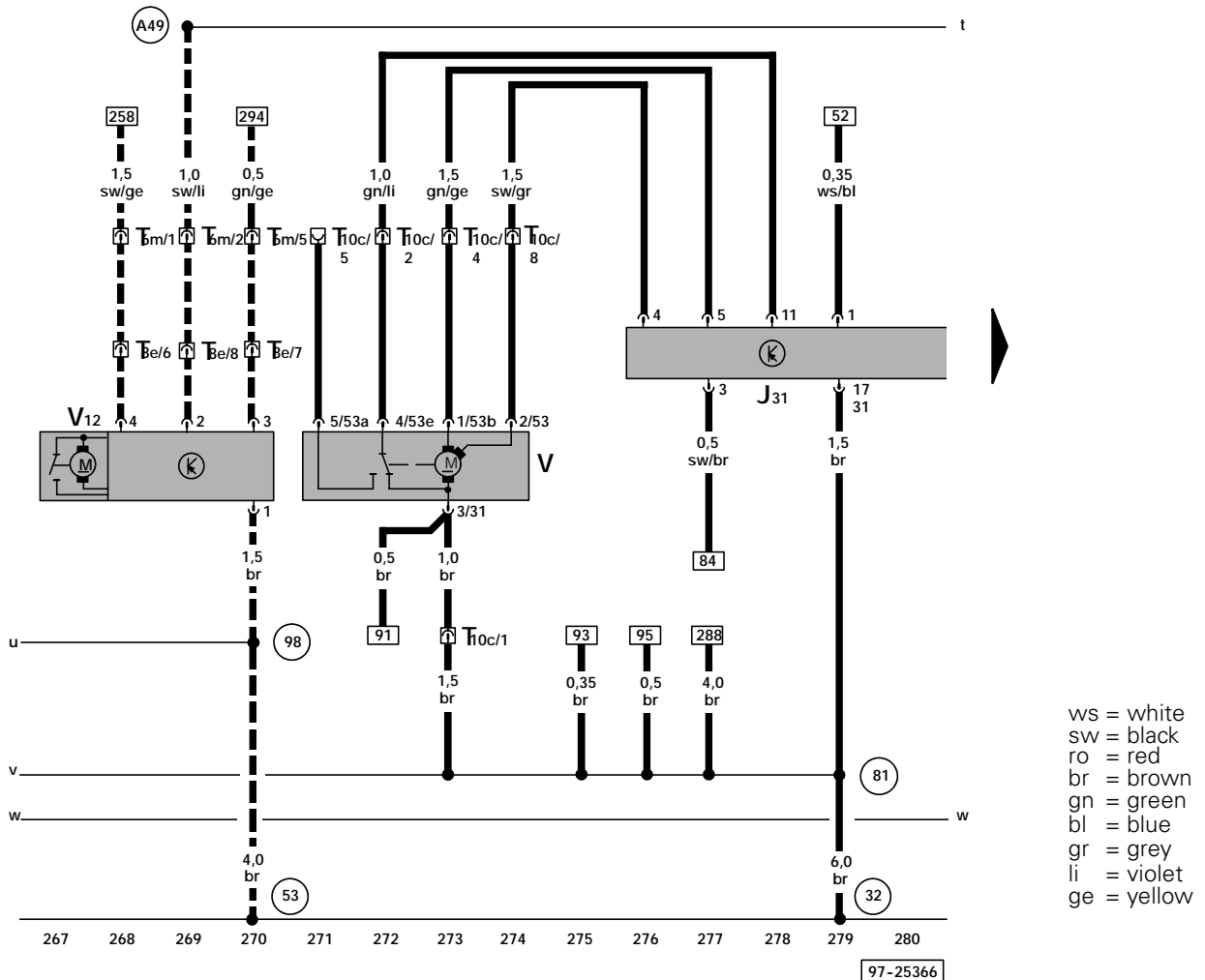
97-25365

- E15 - Rear window defogger switch
- J... -
- K10 - Rear Window Defogger Indicator Light
- L39 - Rear Window Defogger Switch Light
- S224 - Fuse 24 in fuse holder
- S226 - Fuse 26 in fuse holder
- S227 - Fuse 27 in fuse holder
- T6 - 6-Pin Connector, black, in luggage compartment, left (wagon only)
- T6c - 6-Pin Connector, blue, connector station A-pillar, left
- T6h - 6-Pin Connector, black, on rear window defogger switch
- Z1 - Heated rear window

- (81) - Ground connection -1-, in instrument panel wiring harness
- (98) - Ground connection, in rear lid wiring harness
- (A64) - Connector (30, idle boost), in instrument panel wiring harness
- (A82) - Connector (heated glass), in instrument panel wiring harness

- - - wagon only
 * - sedan only

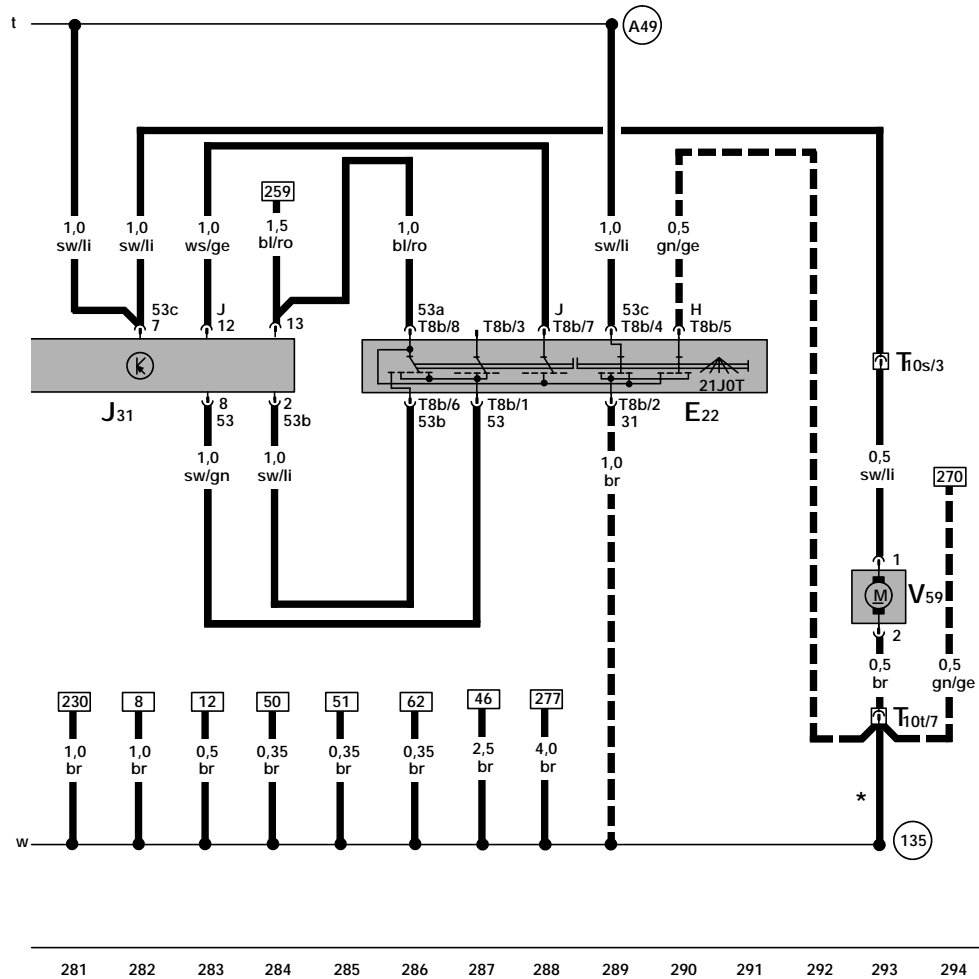
- (41) - Ground connection, below rear shelf



- J31 - Wiper/Washer Intermittent Relay, production control number (377)
- T6m - 6-Pin Connector, black, connector station A-pillar, right
- T8e - 8-Pin Connector, black, in rear lid, right
- T10c - 10-Pin Connector, violet, connector station A-pillar, left
- V - Windshield Wiper Motor
- V12 - Rear Window Wiper Motor

- (98) - Ground connection, in rear lid wiring harness
- (A49) - wire connection -1-, in instrument panel wiring harness
- wagon only

- (32) - Ground connection, behind instrument panel, left
- (53) - Ground connection, in rear lid, right
- (81) - Ground connection -1-, in instrument panel wiring harness



97-25367

- E22 - Windshield Wiper/Washer Switch
 - J31 - Wiper/Washer Intermittent Relay, production control number (377)
 - T8b - 8-Pin Connector, on Windshield Wiper/Washer Switch
 - T10s - 10-Pin Connector, pink, connector station A-pillar, left
 - T10t - 10-Pin Connector, red, connector station A-pillar, left
 - V59 - Windshield and Rear Window Washer Pump
 - (135) - Ground connection -2-, in instrument panel wiring harness
 - (A49) - wire connection -1-, in instrument panel wiring harness
- wagon only
* - sedan only