

Automatic transmission, 5 speed automatic with tiptronic

● 2,8L-Engine - Motronic Multiport Fuel Injection (MFI) / 142 kW, code AHA,

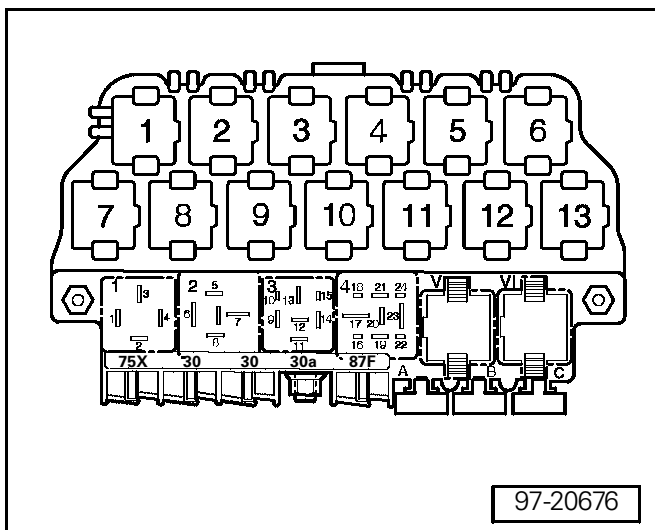
from August 1998

Deviate relay location and fuseplacements as well as the locations of multiple connectors see section "component locations"

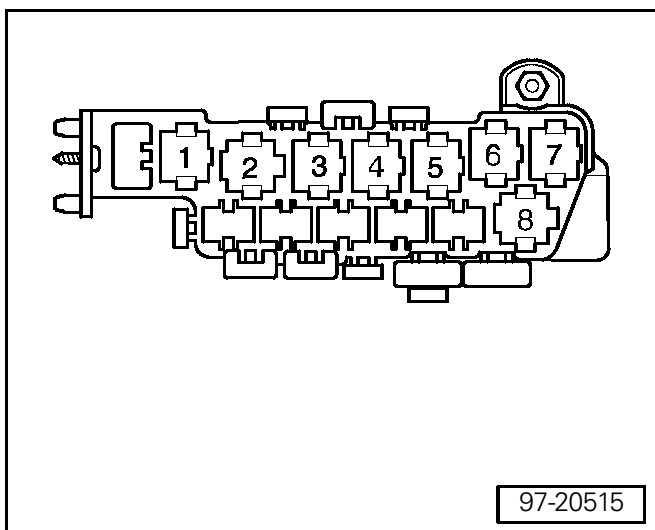
Relay location on the thirteen position auxiliary relay panel, above relay panel:

- 6 - Selector Lever Light Relay (205)
- 12 - Starting Interlock Relay (alarm system) (186)
- 13 - Starting Interlock Relay (204)

Relay panel:



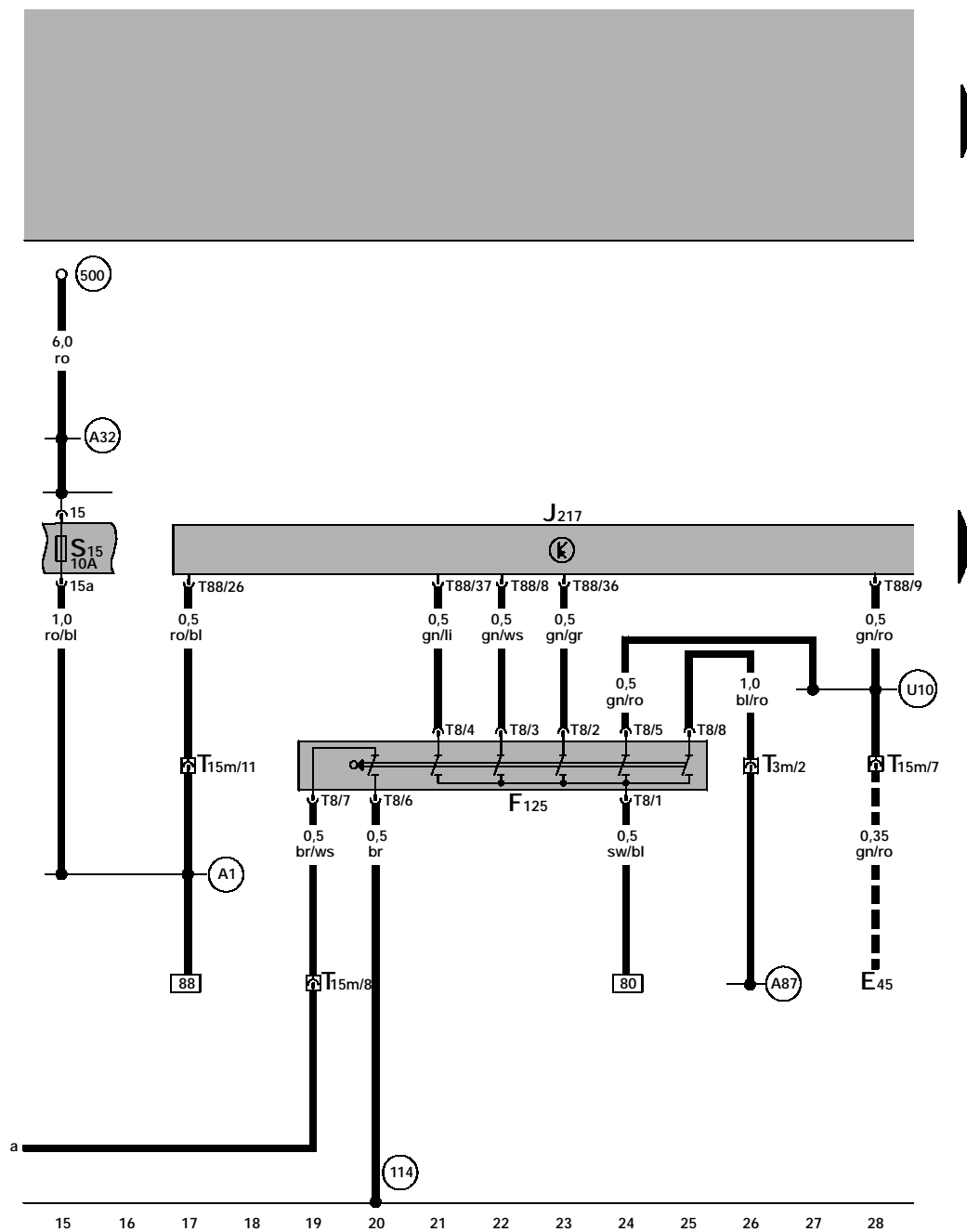
Relay location on the eight position auxiliary relay panel, above relay panel:



Transmission control module (TCM), multi-function transmission range (TR) switch

- E45 - Cruise Control Switch
- F125 - Multi-Function Transmission Range (TR) Switch
- J217 - Transmission Control Module (TCM), in front footwell, right
- S15 - Fuse 15 in fuse holder
- T3m - 3-Pin Connector, brown, connector station A-pillar, right
- T8 - 8-Pin Connector, black
- T15m - 15-Pin Connector, brown, connector station A-pillar, right
- T88 - Connector, 88 point, on Transmission Control Module (TCM)

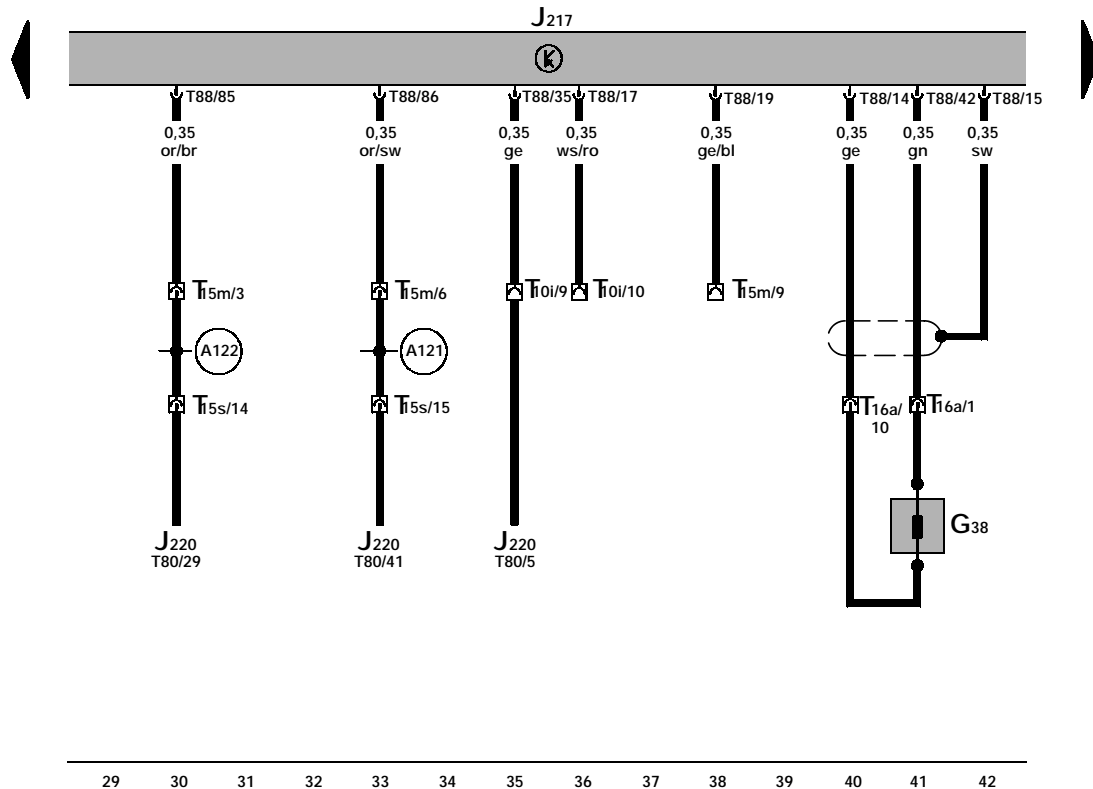
- (114) - Ground connection, in automatic transmission wiring harness
- (500) - Screw Connection -1- (30), on relay panel
- (A1) - plus connection (30a), in instrument panel wiring harness
- (A32) - plus connection (30), in instrument panel wiring harness
- (A87) - Connector (reverse lamp), in instrument panel wiring harness
- (U10) - Cruise Control Connection (in automatic transmission wiring harness)
- - vehicles with cruise control only



ws = white
 sw = black
 ro = red
 br = brown
 gn = green
 bl = blue
 gr = grey
 li = lilac
 ge = yellow
 or = orange

Transmission control module (TCM), transmission vehicle speed sensor (VSS)

- G38 - Transmission Vehicle Speed Sensor (VSS)
- J217 - Transmission Control Module (TCM), in front footwell, right
- J220 - Motronic Engine Control Module (ECM)
- T10i - 10-Pin Connector, blue, connector station A-pillar, right
- T15m- 15-Pin Connector, brown, connector station A-pillar, right
- T15s - 15-Pin Connector, red, on protective housing for control module, in engine compartment, left
- T16a - 16-Pin Connector, on transmission
- T80 - Connector, 80 point, on Motronic Engine Control Module (ECM)
- T88 - Connector, 88 point, on Transmission Control Module (TCM)
- (A121) - Connector (High-Bus), in instrument panel wiring harness
- (A122) - Connector (Low-Bus), in instrument panel wiring harness



ws = white
 sw = black
 ro = red
 br = brown
 gn = green
 bl = blue
 gr = grey
 li = lilac
 ge = yellow
 or = orange

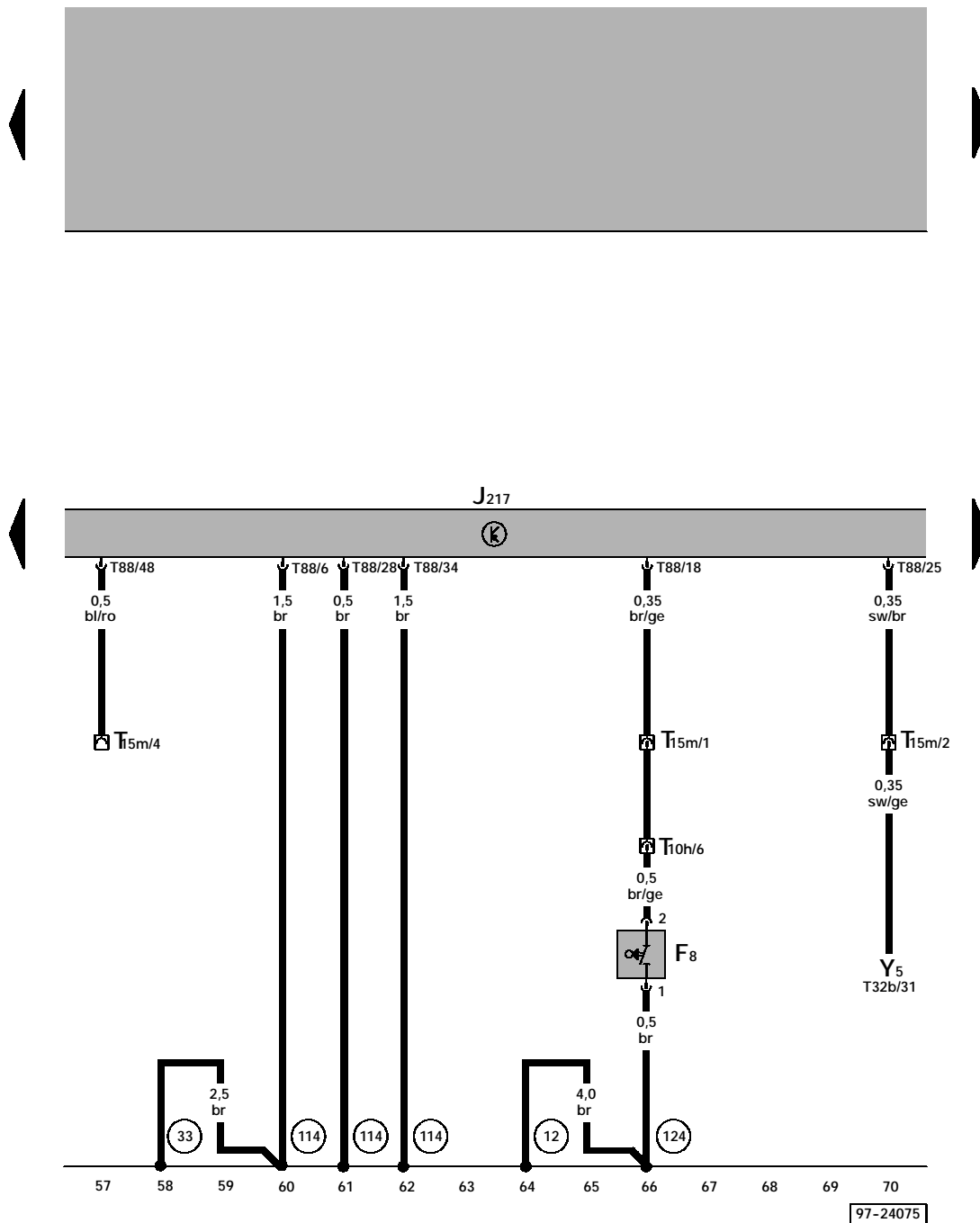
29 30 31 32 33 34 35 36 37 38 39 40 41 42

Transmission control module (TCM), kick down switch

- F8 - Kick Down Switch
- J217 - Transmission Control Module (TCM), in front footwell, right
- T10h - 10-Pin Connector, blue, on protective housing for control module, in engine compartment, left
- T15m - 15-Pin Connector, brown, connector station A-pillar, right
- T32b - 32-Pin Connector, green, on instrument cluster
- T88 - Connector, 88 point, on Transmission Control Module (TCM)
- Y5 - Transmission Range (TR) Selector Lever Display

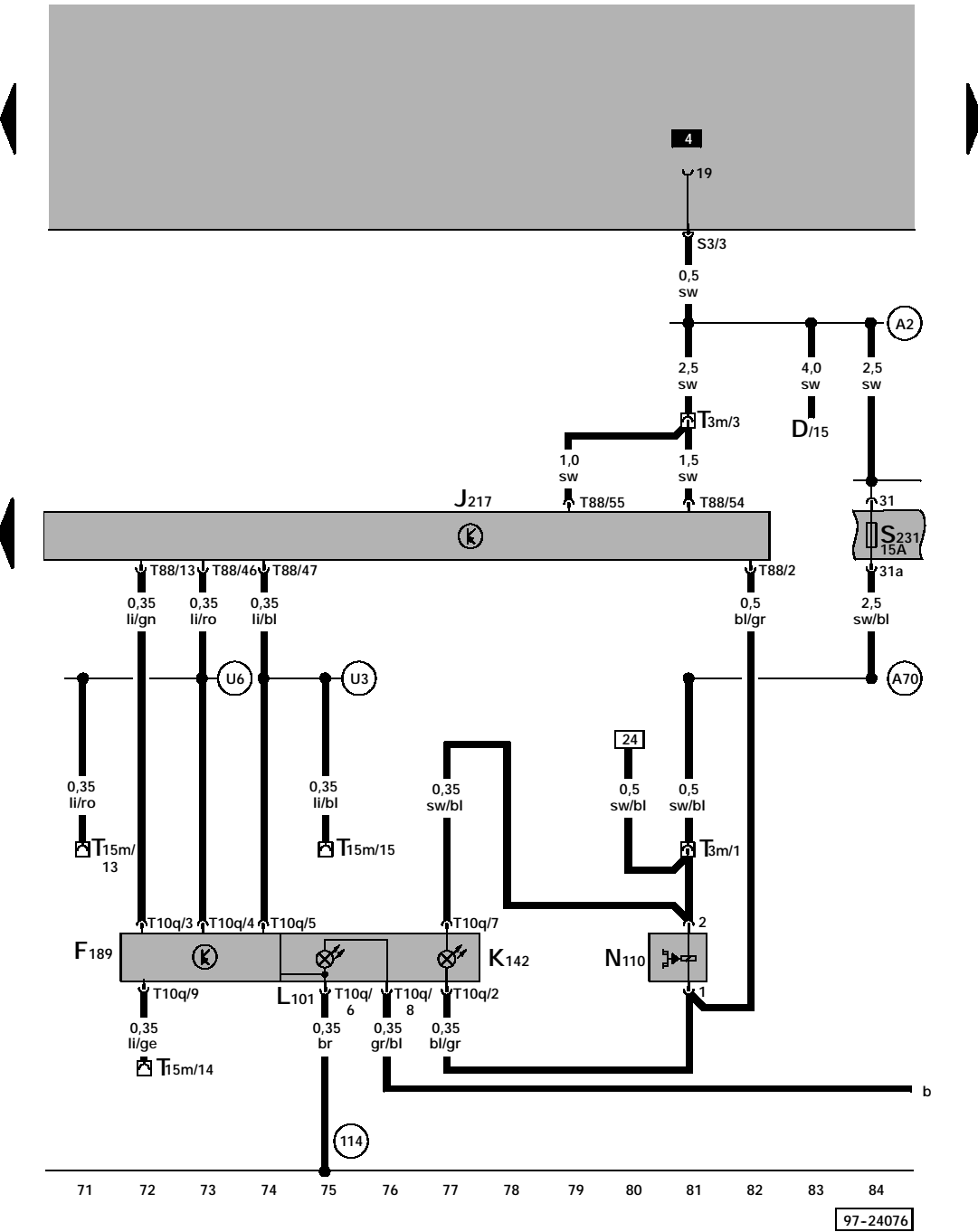
- (12) - Ground connection, in engine compartment, left
- (33) - Ground connection, behind instrument panel, right
- (114) - Ground connection, in automatic transmission wiring harness
- (124) - ground connection, in engine compartment right wiring harness

ws = white
 sw = black
 ro = red
 br = brown
 gn = green
 bl = blue
 gr = grey
 li = lilac
 ge = yellow
 or = orange



97-24075

Transmission control module (TCM), shift lock solenoid, tiptronic switch

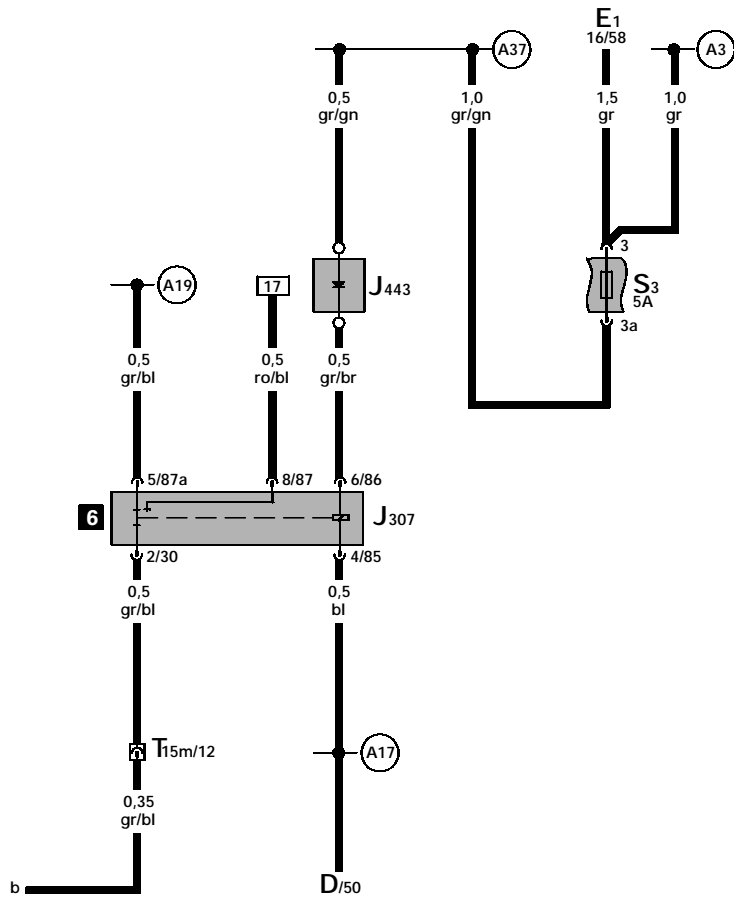


- D - Ignition/Starter Switch
- F189 - Tiptronic Switch
- J217 - Transmission Control Module (TCM), in front footwell, right
- K142 - Warning light for selector lever position P/N
- L101 - Illumination for selector lever scale
- N110 - Shift Lock Solenoid
- S231 - Fuse 31 in fuse holder
- T3m - 3-Pin Connector, brown, connector station A-pillar, right
- T10q - 10-Pin Connector
- T15m - 15-Pin Connector, brown, connector station A-pillar, right
- T88 - Connector, 88 point, on Transmission Control Module (TCM)
- (A2) - plus connection (15), in instrument panel wiring harness
- (114) - Ground connection, in automatic transmission wiring harness
- (A70) - Connector (15a, fuse 231), in instrument panel wiring harness
- (U3) - wire connection -1-, in automatic transmission wiring harness
- (U6) - wire connection -2-, in automatic transmission wiring harness

ws = white
 sw = black
 ro = red
 br = brown
 gn = green
 bl = blue
 gr = grey
 li = lilac
 ge = yellow
 or = orange

Selector lever light

- D - Ignition/Starter Switch
- E1 - Light switch
- J307 - Selector Lever Light Relay, on the thirteenfold auxiliary relay panel, above relay panel, production control number (205)
- J443 - Selector Lever Light Diode
- S3 - Fuse 3 in fuse holder
- T15m- 15-Pin Connector, brown, connector station A-pillar, right
- (A3) - plus connection (58), in instrument panel wiring harness
- (A17) - wire connection (61), in instrument panel wiring harness
- (A19) - wire connection (58d), in instrument panel wiring harness
- (A37) - wire connection (58a), in instrument panel wiring harness



ws = white
 sw = black
 ro = red
 br = brown
 gn = green
 bl = blue
 gr = grey
 li = lilac
 ge = yellow
 or = orange

85 86 87 88 89 90 91 92 93 94 95 96 97 98

97-24077