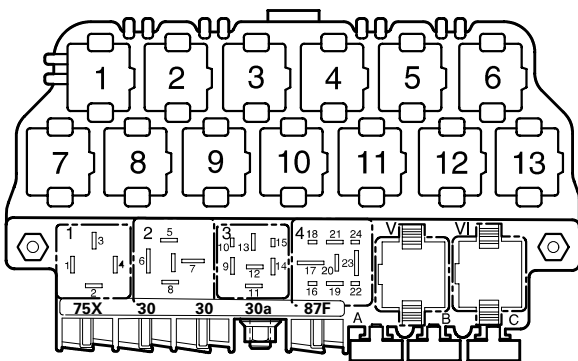


Power seats without Memory

from November 1997

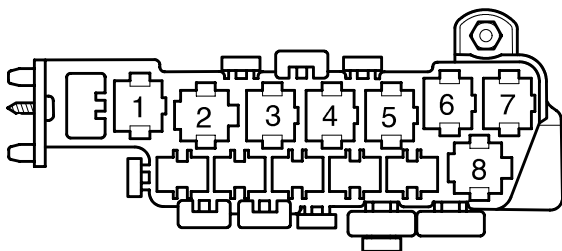
Deviate relay location and fuseplacements as well as the locations of multiple connectors see section "component locations".



97-20676

Relay location on the thirteenfold auxiliary relay panel, above relay panel:

Relay panel:

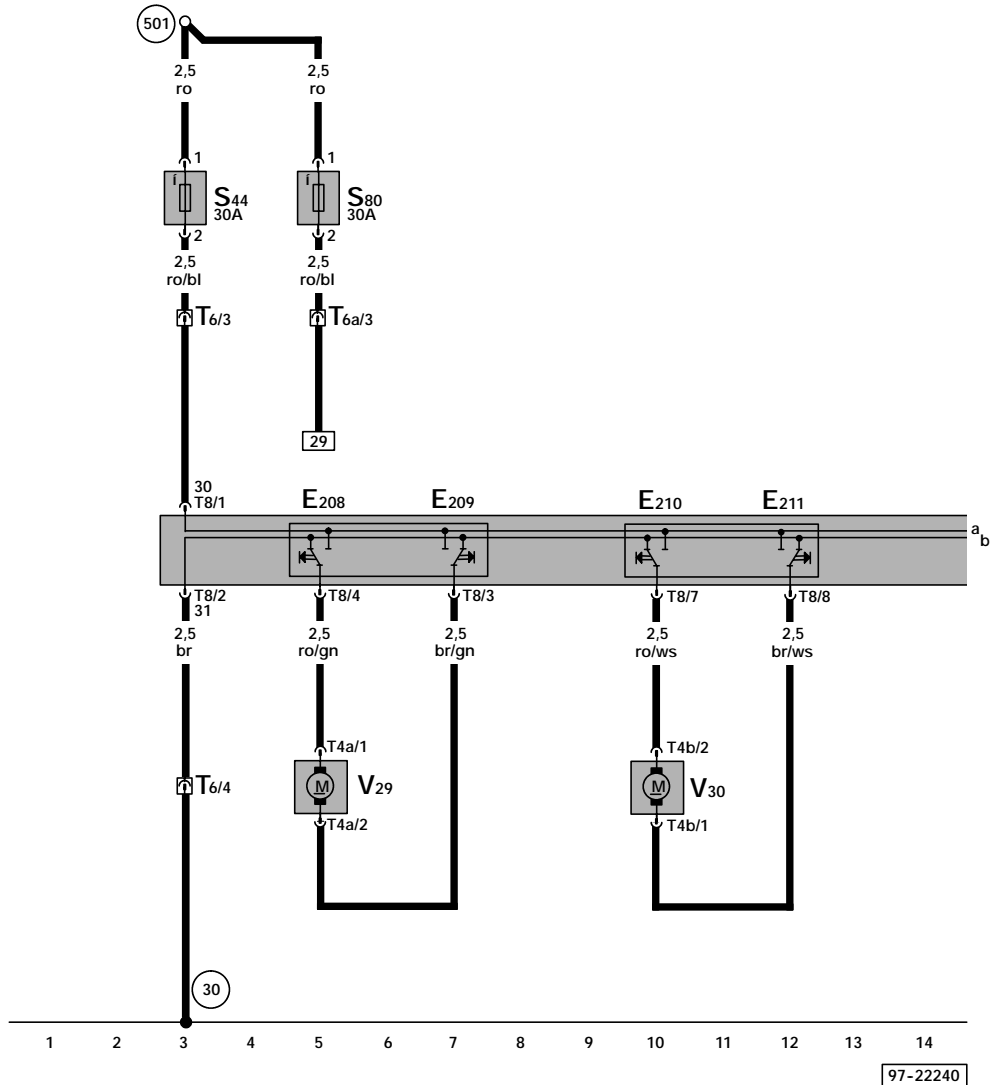


97-20515

Relay location on the eightfold auxiliary relay panel, behind relay panel:

Fuse colors

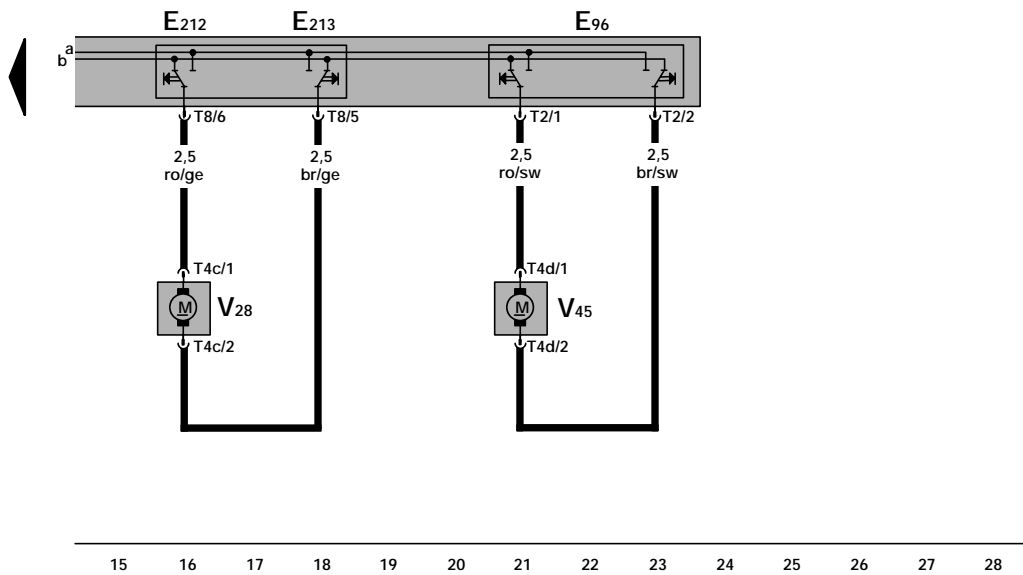
- 30 A - green
- 25 A - white
- 20 A - yellow
- 15 A - blue
- 10 A - red
- 7,5 A - brown
- 5 A - beige



ws = white
 sw = black
 ro = red
 br = brown
 gn = green
 bl = blue
 gr = grey
 li = violet
 ge = yellow

- E208 - Button for front height adjustment, upwards, driver seat
- E209 - Button for front height adjustment, downwards, driver seat
- E210 - Button for rear height adjustment, upwards, driver seat
- E211 - Button for rear height adjustment, downwards, driver seat
- S44 - Power Seat Circuit Breaker (driver's)
- S80 - Power Seat Circuit Breaker (passenger's)
- T4a - 4-Pin Connector, black, below driver's seat
- T4b - 4-Pin Connector, black, below driver's seat
- T6 - 6-Pin Connector, red, below driver's seat
- T6a - 6-Pin Connector, red, below driver's seat
- T8 - 8-Pin Connector, black
- V29 - Driver's Seat Front Height Adjusting Motor

- V30 - Driver's Seat Rear Height Adjusting Motor
- (30) - Ground connection -1-, beside fuse/relay panel
- (501) - Threaded connection -2-, on the relay plate



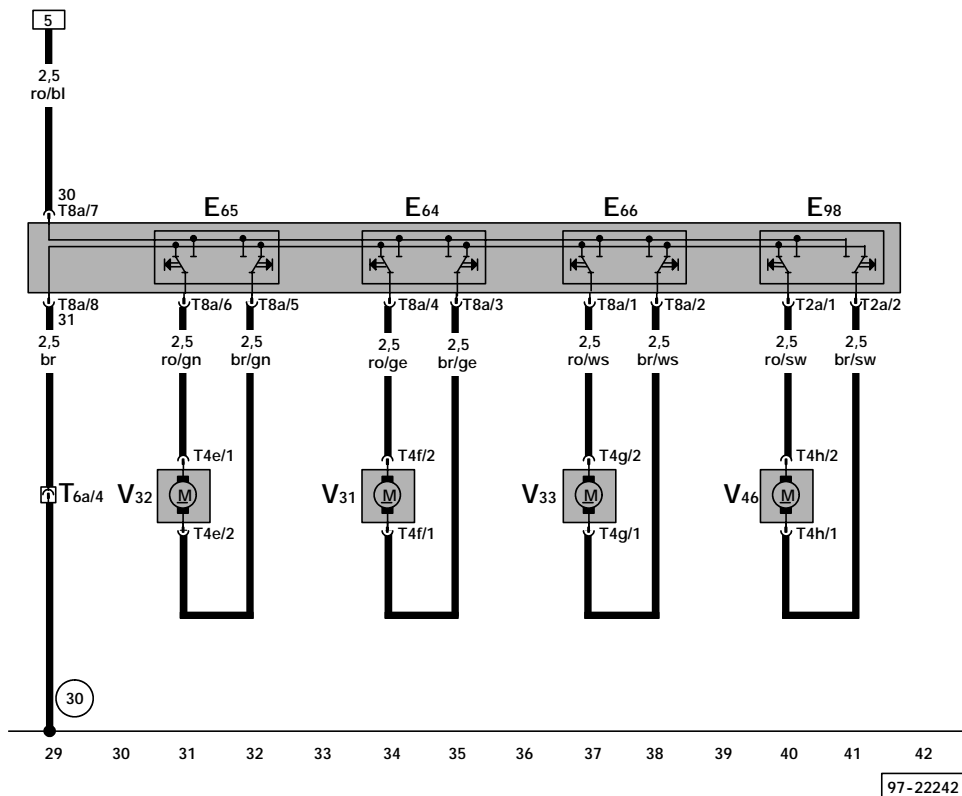
ws = white
 sw = black
 ro = red
 br = brown
 gn = green
 bl = blue
 gr = grey
 li = violet
 ge = yellow

97-22241

- E96 - Driver's Backrest Adjustment Switch
- E212 - Button for length adjustment, forward, driver seat
- E213 - Button for length adjustment, backward, driver seat
- T2 - Double Connector, black
- T4c - 4-Pin Connector, black, below driver's seat
- T4d - 4-Pin Connector, black, below driver's seat
- T8 - 8-Pin Connector, black
- V28 - Driver's Seat Fore/Aft Adjusting Motor
- V45 - Driver's Backrest Adjusting Motor



ws = white
 sw = black
 ro = red
 br = brown
 gn = green
 bl = blue
 gr = grey
 li = violet
 ge = yellow



97-22242

- E64 - Passenger's Seat Fore/Aft Adjusting Switch
- E65 - Passenger's Seat Front Height Adjusting Switch
- E66 - Passenger's Seat Rear Height Adjusting Switch
- E98 - Passenger's Backrest Adjustment Switch
- T2a - Double Connector, black
- T4e - 4-Pin Connector, black, below driver's seat
- T4f - 4-Pin Connector, black, below driver's seat
- T4g - 4-Pin Connector, black, below driver's seat
- T4h - 4-Pin Connector, black, below driver's seat
- T6a - 6-Pin Connector, red, below driver's seat
- T8a - 8-Pin Connector, black
- V31 - Passenger's Seat Fore/Aft Adjusting Motor
- V32 - Passenger's Seat Front Height Adjusting Motor
- V33 - Passenger's Seat Rear Height Adjusting Motor
- V46 - Passenger's Backrest Adjusting Motor

(30) - Ground connection, -1-, beside fuse/relay panel